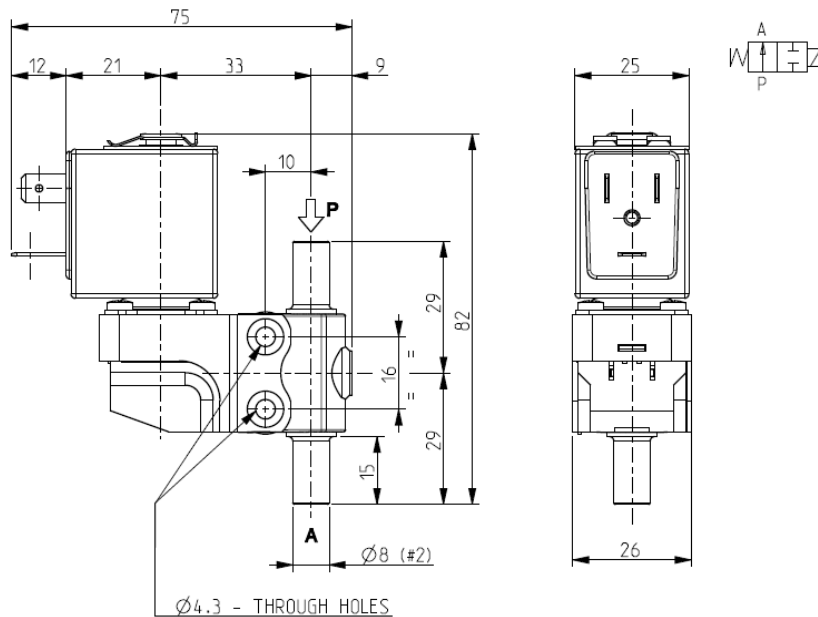




SOLENOID VALVE - DRY
2/2 – NO (Normally open)
 Direct acting - Total isolation
Barbed port

D218



► **GENERAL FEATURES**

Direct acting, total isolation solenoid valve: the actuator is totally isolated from the fluid so that the wetted parts are just the body and the lever-seal.

Possibility of disassembling for inspection.

Core duly coated by PTFE (polytetrafluoroethylene) based self lubricating material.

Suitable to shut off liquid and gaseous fluids (verify the compatibility of fluid with materials in contact).

► **TECHNICAL FEATURES**

Maximum allowable pressure (PS) 12 bar
 Opening time ~ 25ms
 Closing time ~ 25ms
 Fluid temperature -10°C +100°C
 Max viscosity 5°E (~37 cStokes or mm²/s)

► **MATERIALS IN CONTACT WITH FLUID**

Body PEI (Polyetherimide)
 Sealing VMQ or FPM or EPDM

► **COIL**

Continuous duty ED 100%
 Encapsulation material PET (polyethylene terephthalate) fiberglass reinforced
 Coil insulation class F (155°C)
 Ambient temperature -10°C +60 °C
 Electric connections DIN 46340 - 3 poles connector
 Protection degree IP 65 (EN 60529) with plug connector
 Voltages DC 12-24V (+10% -5%)
 AC 24V/50-60Hz - 110V/50-60Hz (120V/60Hz)
 230V/50-60Hz (+10% -15%)
 (Other voltages and frequencies on request)
 UL approved version (see notes)

Port size	Orifice size (mm)	Differential pressure (bar)				Kv (m ³ /h)	Series and type		Power absorption			Sealings	Notes	Weight (kg)	
		Δp min	Δp max				Valve	Coil	AC (VA)		DC (W)				
			Gases		Liquids				Inrush	Holding					
			AC	DC	AC										DC
Barbed port	3,4	0	3	3	2,5	2,5	0,30	D218D03	Z610A	16	10	6	EPDM	1	0,150
								D218S03					VMQ	-	
								D218V03					FPM	1	

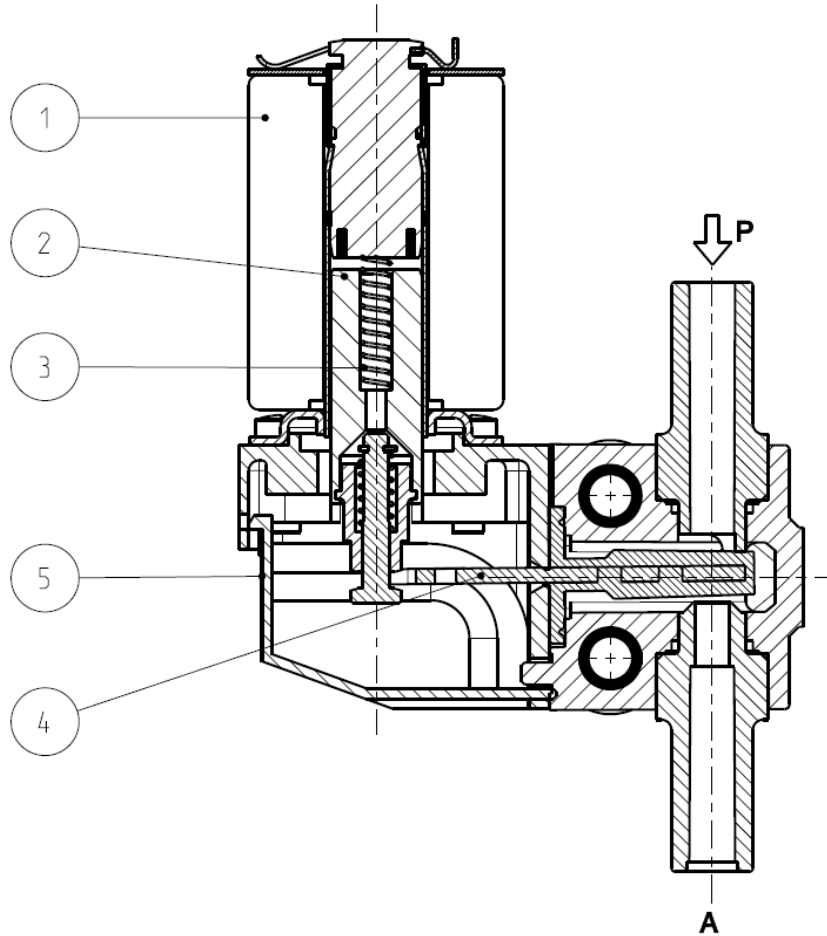
► **NOTES**

- Sealings : FPM = Fluoro-carbon elastomer VMQ = Silicone elastomer EPDM = Ethylene-propylene elastomer
 - On request UL approved coil (Z614A - class "H" - ambient temperature -10°C +60°C)
 1 - Model available on request only: ask for minimum quantity.



D218

► SPARE PARTS



Kit description	Kit P.N.	Consisting of:
Core kit	G3049601	Core pos.2 Core return spring pos.3
Lever seal	D218D03 2815206R D218S03 2815202R D218V03 2815203R	Lever seal pos.4
Cover kit	G2883901	N. 10 cover pos. 5
Coil	Z610A	Coil pos. 1

► MOUNTING

- Solenoid valve can be mounted in any position.

THE VALIDITY OF REPORTED DATA IS REFERRED TO THE DATE OF ISSUE. POSSIBLE UPDATES ARE AVAILABLE ON REQUEST.