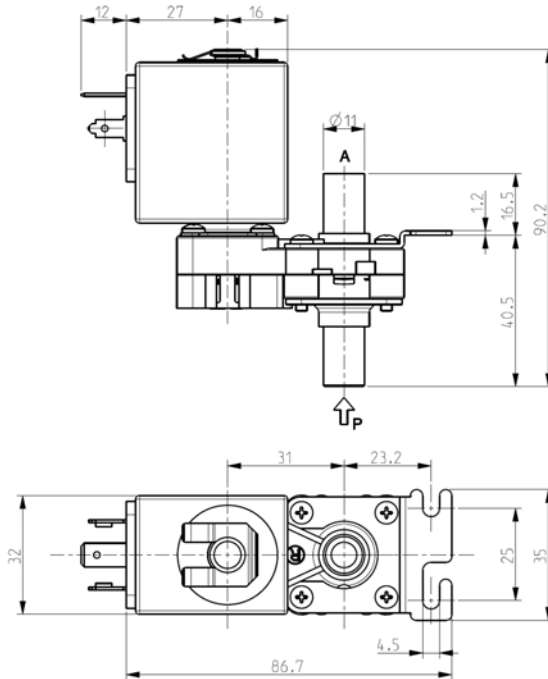




SOLENOID VALVE - DRY
2/2 - NO (Normally open)
 Direct acting - Total isolation
 Barbed port

D244



► **GENERAL FEATURES**

Direct acting, total isolation solenoid valve: the actuator is totally isolated from the fluid so that the wetted parts are just the body and the lever-seal.

Possibility of disassembling for inspection.

Core duly coated by PTFE (polytetrafluoroethylene) based self lubricating material.

Suitable to shut off liquid and gaseous fluids (verify the compatibility of fluid with materials in contact).

► **TECHNICAL FEATURES**

<i>Maximum allowable pressure (PS)</i>	12 bar
<i>Opening time</i>	~ 25ms
<i>Closing time</i>	~ 25ms
<i>Fluid temperature</i>	-10°C +100°C
<i>Max viscosity</i>	5°E (~37 cStokes o mm ² /s)

► **MATERIALS IN CONTACT WITH FLUID**

<i>Body</i>	PEI (Polyetherimide)
<i>Sealing</i>	FPM

► **COIL**

<i>Continuous duty</i>	ED 100%
<i>Encapsulation material</i>	PET (polyethylene terephthalate) fiberglass reinforced
<i>Insulation class</i>	F (140°C)
<i>Ambient temperature</i>	-10°C +60°C
<i>Electric connections</i>	DIN 46340 - 3 poles connector (EN175301-803)
<i>Protection degree</i>	IP 65 (EN 60529) with plug connector
<i>Voltagess DC</i>	12-24V (+10% -5%)
<i>AC</i>	24V/50Hz - 110V/50Hz (120V/60Hz)
	230V/50Hz (+10% -15%)
	(Other voltages and frequencies on request)

Port size	Orifice size (mm)	Differential pressure (bar)				Kv (m ³ /h)	Series and type		Power absorption			Sealings	Notes	Weight (kg)	
		Δp min	Δp max				Valve	Coil	AC (VA)		DC (W)				
			Gases		Liquids				Inrush	Holding					
			AC	DC	AC										DC
Barbed port	5,5	0	0,9	0,2	0,9	0,2	0,55	D244V6	Z530A	23	14	9	FPM	-	0,255

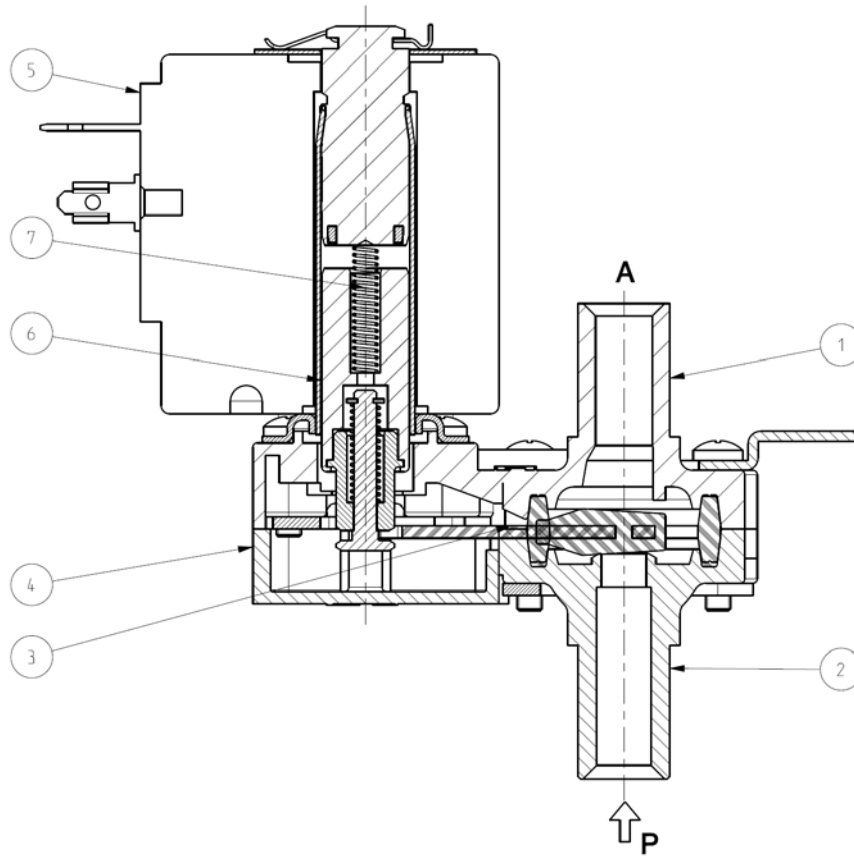
► **NOTES**

- Sealing: FPM = Fluoro-carbon elastomer
- Solenoid valve designed for bidirectional use at 0,9 bar (AC). With inlet at A port, the Δp max is 1,5 bar (AC) (monodirectional).

1511/1703



► SPARE PARTS



Kit description	Kit P.N.	Consisting of:
Body kit	G2846601	Upper body pos.1 Lower body pos.2
Core kit	G2999301	Core pos.6 Core return spring pos.7
Lever seal kit	2977702R	Lever seal kit pos. 3
Cover	3119801R	Cover pos. 4
Coil	Z530A	Coil pos. 5

► INSTALLATION

- Solenoid valve can be mounted in any position.
- In case of disassembling, for usual maintenance, the fixing screws have to be tightened at 0,6 Nm max torque.

THE VALIDITY OF REPORTED DATA IS REFERRED TO THE DATE OF ISSUE. POSSIBLE UPDATES ARE AVAILABLE ON REQUEST.