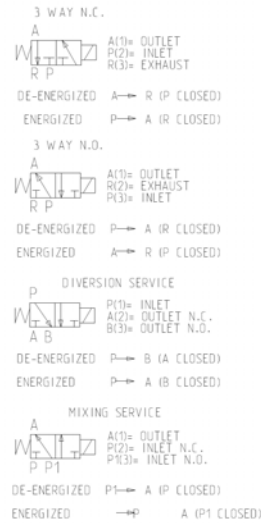
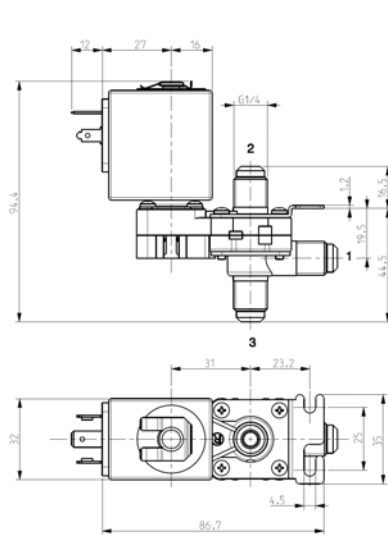




SOLENOID VALVE - DRY
3/2 – US (Universal service)
Direct acting - Total isolation
G 1/4

D344



► **GENERAL FEATURES**

Direct acting, total isolation solenoid valve: the actuator is totally isolated from the fluid so that the wetted parts are just the body and the lever-seal.

Possibility of disassembling for inspection.

Core duly coated by PTFE(polytetrafluoroethylene) based self lubricating material.

Suitable to shut off liquid and gaseous fluids (verify the compatibility of fluid with materials in contact).

► **TECHNICAL FEATURES**

Maximum allowable pressure (PS) 12 bar
Opening time ~ 25ms
Closing time ~ 25ms
Fluid temperature -10°C +100°C
Max viscosity 5°E (~37 cStokes or mm²/s)

► **MATERIALS IN CONTACT WITH FLUID**

Body PEI (Polyetherimide)
Sealing EPDM or VMQ or FPM

► **COIL**

Continuous duty ED 100%
Encapsulation material PET (polyethylene terephthalate) fiberglass reinforced
Insulation class F (140°C)
Ambient temperature -10°C +60°C
Electric connections DIN 46340 - 3 poles connector (EN175301-803)
Protection degree IP 65 (EN 60529) with plug connector
Voltages DC 12-24V (+10% -5%)
 AC 24V/50Hz - 110V/50Hz (120V/60Hz) – 230V/50Hz (+10% -15%)
 (Other voltages and frequencies on request)

Port size G = ISO 228	Orifice size (mm)	Differential pressure (bar)				Kv (m ³ /h)	Series and type		Power absorption			Sealings	Notes	Weight (kg)	
		Δp min	Δp max				Valve	Coil	AC (VA)		DC (W)				
			Gases		Liquids				Inrush	Holding					
			AC	DC	AC										DC
G 1/4	3.2	0	1.5	1.5	1.5	1.5	0.28	D344D57	Z530A	23	14	9	EPDM	-	0,315
								D344S57					VMQ		
								D344V57					FPM		

► **NOTES**

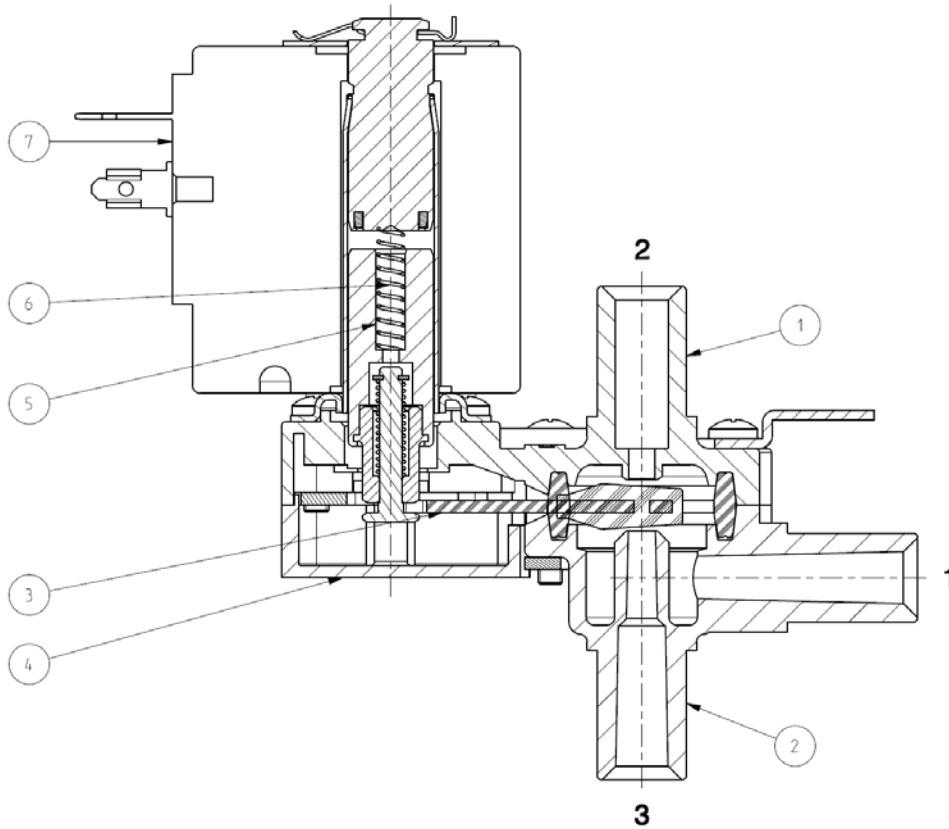
- Sealings: EPDM = Ethylene propylene elastomer VMQ = Silicone elastomer FPM = Fluoro-carbon elastomer
 - On request and depending on quantities: - silent execution (only for DC)

1703/1903



D344

► SPARE PARTS



Kit description	Kit P.N.	Consisting of:
Body kit	G2846701	Upper body pos.1 Lower body pos.2
Core kit	G2999401	Core pos.5 Core return spring pos.6
Lever seal kit	D344D57 2977703R D344S57 2977704R D344V57 2977702R	Lever seal kit pos. 3
Cover	3119801R	Cover pos. 4
Coil	Z530A	Coil pos. 7

► INSTALLATION

- In case of disassembling for usual maintenance, the fixing screws have to be tightened at 0,6 Nm max torque.
- Solenoid valve can be mounted in any position.
- Maximum driving torque of the pipe fittings for thread connections = 10Nm.

THE VALIDITY OF REPORTED DATA IS REFERRED TO THE DATE OF ISSUE. POSSIBLE UPDATES ARE AVAILABLE ON REQUEST.