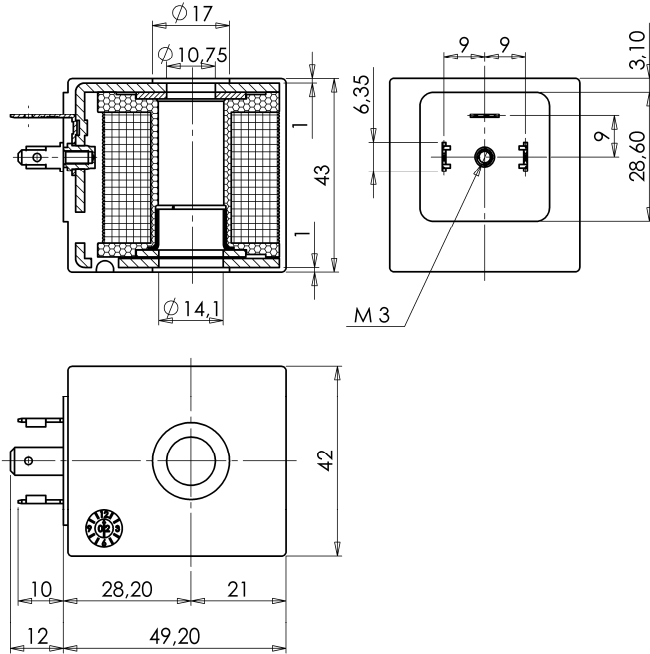




COIL

Spade terminals (DIN 46340)

Z130N



► GENERAL FEATURES

Complying with 2014/35/EU directive.
Product in accordance with the RoHS 2 directive.
100% inspected.

► ELECTRIC CONNECTIONS

Spade terminals 6,3 x 0,8 (DIN46340), 2 line + 1 earth terminals.
3 poles plug connector (DIN 43650)

► ENCAPSULATION MATERIALS

PET (polyethylene terephthalate) fiberglass reinforced (black colour)

► TECHNICAL FEATURES

Continuous duty ED 100% ■
Insulation class F (140°C)
Ambient temperature -10°C +60°C
Protection degree IP 65 (EN 60529) with plug connector
Voltages DC 12-24V (+10% -5%) ■

TYPE	POWER ABSORPTION			NOTES	WEIGHT (kg)
	AC (VA)		DC (W)		
	Inrush	Holding			
Z130N	-	-	18	-	0,290

► NOTES

- - In case of use on L113B26 and L139B08: - *Tolerance on voltages: +30% -30%*
- *Discontinuous duty: ED 50%*

THE VALIDITY OF REPORTED DATA IS REFERRED TO THE DATE OF ISSUE. POSSIBLE UPDATES ARE AVAILABLE ON REQUEST.

0609/1606

