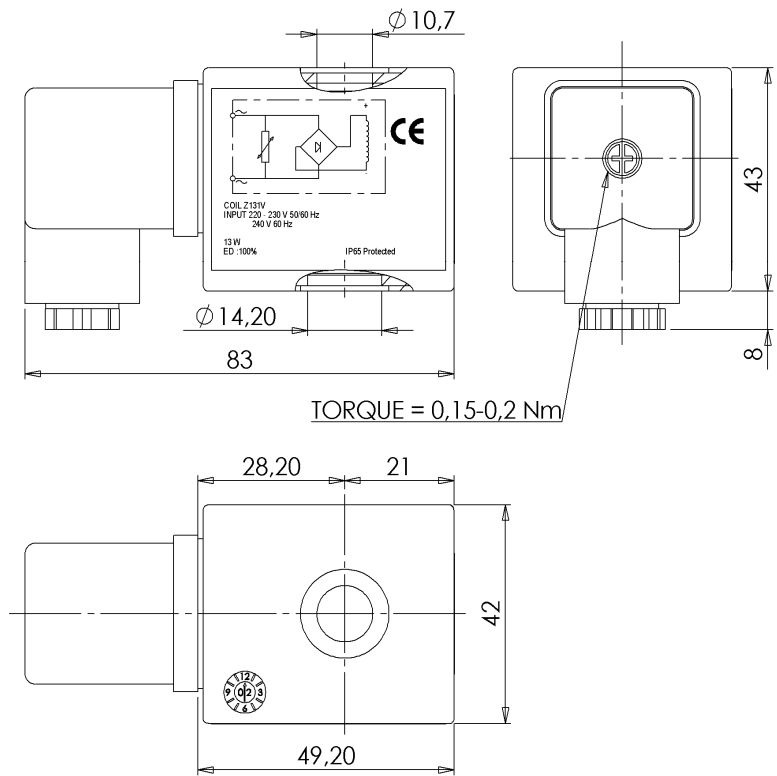




COIL
WITH PLUG CONNECTOR PG9
 (Spade terminal - DIN 46340)

Z131V



► **GENERAL FEATURES**

Coil with plug connector with rectifier bridge.
 Complying with 2014/35/EU directive.
 Product in accordance with the RoHS 2 directive.
 100% inspected.

► **ELECTRIC CONNECTION**

Spade terminals 6,3 x 0,8 (DIN46340), 2 line + 1 earth terminals.
 3 poles plug connector (DIN 43650)

► **TECHNICAL FEATURES**

Continuous duty ED 100%
Coil insulation class F (140°C)
Ambient temperature -10°C +60°C
Protection degree IP 65 (EN 60529) with micro plug connector
Voltages AC 220-230V/50-60Hz – 240V/60Hz (+10% -15%)

► **ENCAPSULATION MATERIALS**

PET (polyethylene terephthalate) fiberglass reinforced; black colour

TYPE	POWER ABSORPTION		NOTES	WEIGHT (kg)
	AC (W)			
Z131V	13		1	0,310

► **NOTES**

1 - Designed for use with L340V08G-L340V09G-S10609 solenoid valve. Please contact us for use with different valves

THE VALIDITY OF REPORTED DATA IS REFERRED TO THE DATE OF ISSUE. POSSIBLE UPDATES ARE AVAILABLE ON REQUEST

0812/1606

