

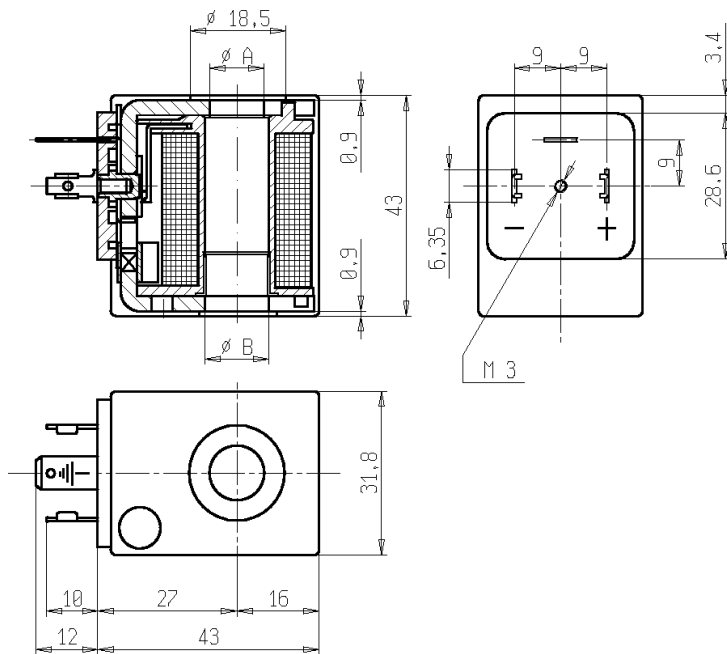


# COIL

## Spade terminals (DIN 46340)

# Z570

## LATCHING MODEL



### ► GENERAL FEATURES

Complying with 2014/30/EU (EMC) directive.  
Product in accordance with the RoHS 2 directive.  
100% inspected.

### ► ELECTRIC CONNECTIONS

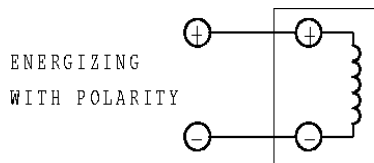
Spade terminals 6,3 x 0,8 (DIN46340), 2 line + 1 earth terminals.  
3 poles plug connector (DIN 43650)

### ► ENCAPSULATION MATERIALS

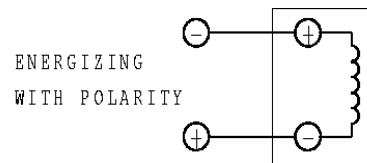
PP-V0 (Self-extinguishing polypropylene); black colour.

### ► TECHNICAL FEATURES

*Insulation class* A (105°C)  
*Ambient temperature* -10°C +60°C  
*Protection degree* IP 65 (EN 60529) with plug connector  
*Voltages* DC 6-12V (+10% -10%)  
(Other voltages on request)



CORE ATTRACTION



CORE RELEASE

TYPE	POWER ABSORPTION			HOLES		NOTES	WEIGHT (kg)
	AC (VA)		DC (W)	ØA	ØB		
	Inrush	Holding					
Z570A	-	-	6	10,7	12,35	-	0,195
Z570C	-	-	3				
Z570F	-	-	9				

THE VALIDITY OF REPORTED DATA IS REFERRED TO THE DATE OF ISSUE. POSSIBLE UPDATES ARE AVAILABLE ON REQUEST

06101606