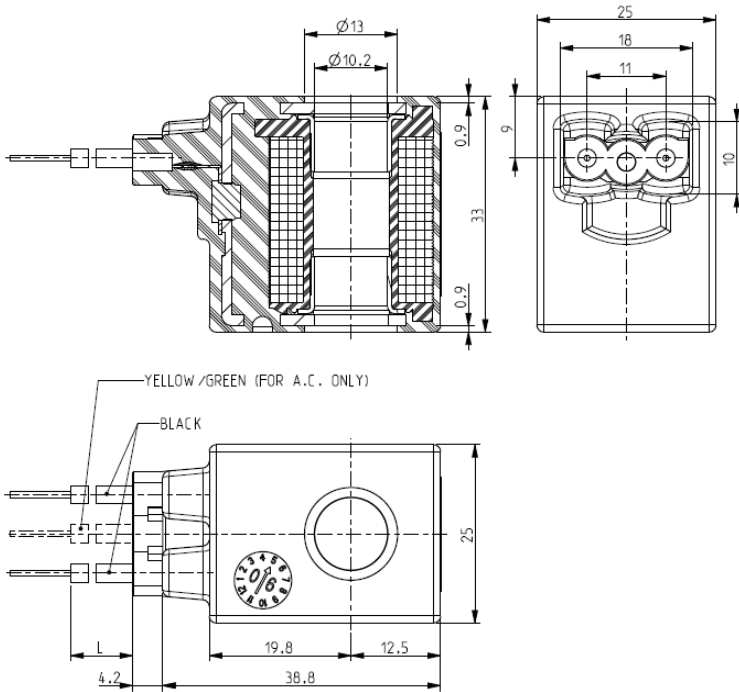




COIL Flying leads

Z615..



► GENERAL FEATURES

Complying with 2014/35/EU directive.
Product in accordance with the RoHS 2 directive.
100% inspected.

► ELECTRIC CONNECTIONS

- N° 3 wires AWG 20 (2 line + earth) for AC model, length as per table.
- N° 2 wires AWG 20 (2 line) for DC model, length as per table.

► ENCAPSULATION MATERIALS

PET (polyethylene terephthalate) fiberglass reinforced (black colour)

► TECHNICAL FEATURES

<i>Continuous duty</i>	ED
<i>Insulation class</i>	F (155°C)
<i>Ambient temperature</i>	-10°C +60°C
<i>Protection degree</i>	IP 66 (EN 60529)
<i>Voltages DC</i>	12-24V (+10% -5%)
<i>Voltages AC</i>	24V/50-60Hz – 110V/50-60Hz (120V/60Hz) - 230V/50-60Hz (+10% -15%) (Other voltages and frequencies on request)

TYPE	POWER ABSORPTION			CABLE FREE LENGTH L	NOTES	WEIGHT (kg)
	AC (VA)		DC (W)			
	Inrush	Holding				
Z615A	16	10	6	400	-	0,095
Z615Y				1500		0,120

THE VALIDITY OF REPORTED DATA IS REFERRED TO THE DATE OF ISSUE. POSSIBLE UPDATES ARE AVAILABLE ON REQUEST.

14/01/1606

