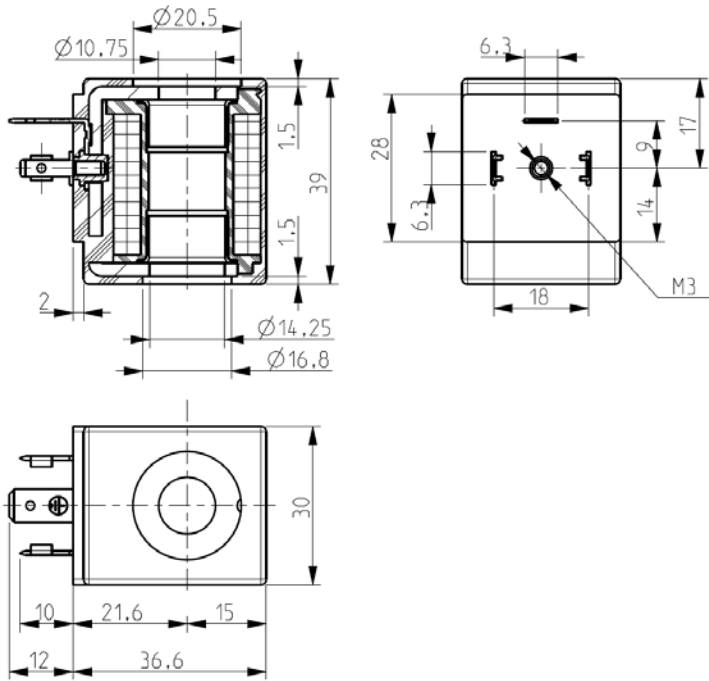




COIL

Spade terminals (DIN 46340)

ZA10X



► GENERAL FEATURES

Complying with 2014/35/EU (LVD) and 2014/30/EU (EMC) directives.
 Product in accordance with the RoHS 2 directive.
 100% inspected.

► ELECTRIC CONNECTIONS

Spade terminals 6,3 x 0,8 (DIN 46340), 2 line + 1 earth terminals.
 3 poles plug connector (EN175301-803).

► ENCAPSULATION MATERIALS

PPS (Polyphenylsulfure) fiberglass reinforces

► TECHNICAL FEATURES

Approval "UL Recognized" (class F)
Continuous duty ED 100%
Insulation class F (155°C) – H (180°C)
Ambient temperature Class F: -10°C +50°C
 Class H: -10°C +80°C
Protection degree IP 67 (EN 60529) with plug connector
Voltages AC 24V/50-60Hz
 220-240V/50Hz
 220-230V/50Hz - 208-240V/60Hz
 200V/50-60Hz (not UL approved)
 (+10% -15%)

TYPE		POWER ABSORPTION			NOTES	WEIGHT (kg)
		AC (VA)		DC (W)		
BASIC CODE	CLASS/VOLTAGE CODE	Inrush	Holding			
ZA10X	** See overleaf	23	14	-	1 - 2	0,130

► NOTES

- 1 - approval (valid only if associated with the certified valves; for more information, see overleaf)
- 2 - UL class F approval (N°E153691)
- Coil specifically designed for the following valve series: L120 – L121 – L321 – L334. In some cases, the use of the ZA10X coil as a substitute for the ZA10A model results in a reduction of performances; please refer to the datasheet of the relative solenoid valve.
- For use with other series valves, ask for details.

THE VALIDITY OF REPORTED DATA IS REFERRED TO THE DATE OF ISSUE. POSSIBLE UPDATES ARE AVAILABLE ON REQUEST.

1606/1702



ZA10X

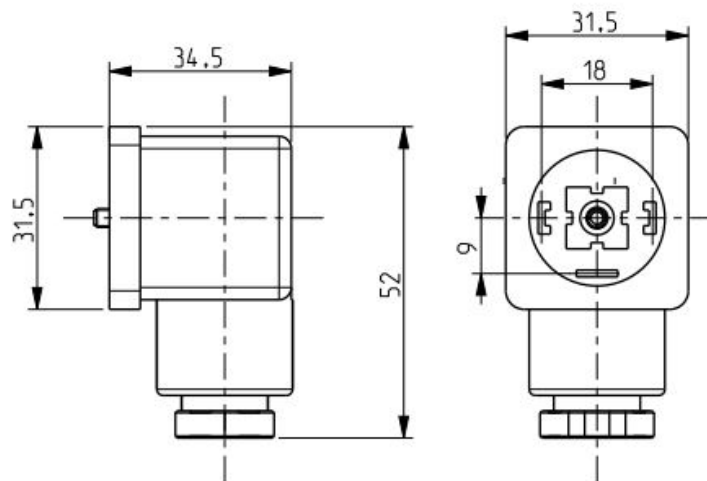
► CODIFICATION TABLE

CLASS CODE	**IMQ-CSV and UL class F certified voltages						IMQ-CSV	
	24V/50-60Hz		220-230V/50Hz - 208-240V/60Hz		220-240V/50Hz		200V/50-60Hz	
	F	H	F	H	F	H	F	H
ZA10X	FQ	HQ	ET	JT	EH	JH	EL	JL

IMQ certified valves (L120 – L121 – L321 – L334)

** the complete coil code is composed of the basic code plus the class/voltage code (e.g. ZA10X**FQ** = ZA10X coil – Class F – 24V/50-60Hz)

► ACCESSORIES



Description

IP67 connector, EN175301-803 style A (ex DIN 43650-A), ISO 4400.

Code

512468-001

THE VALIDITY OF REPORTED DATA IS REFERRED TO THE DATE OF ISSUE. POSSIBLE UPDATES ARE AVAILABLE ON REQUEST.