

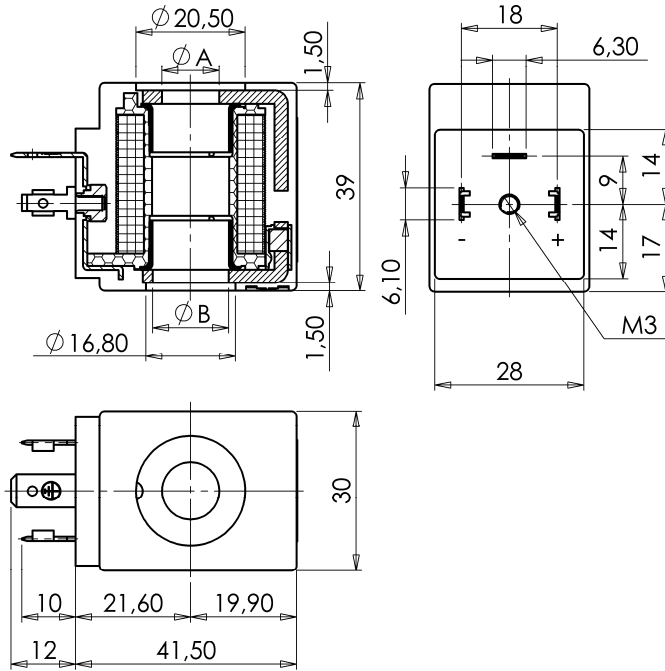


# COIL

## Spade terminals (DIN 46340)

**ZA70**  
LATCHING MODEL

**ZA70**



### ► GENERAL FEATURES

Complying with 73/23/EC (Low Voltage), 2004/108/EC (EMC) directives and relative modification.

Complying with VDE 0580 standard (100% inspected).

### ► ELECTRIC CONNECTIONS

Spade terminals 6,3 x 0,8 (DIN46340), 2 line + 1 earth terminals.  
3 poles plug connector (DIN 43650).

### ► ENCAPSULATION MATERIALS

PP-V0 (Self-extinguishing polypropylene); black colour.

### ► TECHNICAL FEATURES

Insulation class

A (105°C)

Ambient temperature

-10°C +60°C

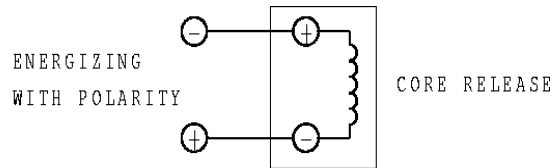
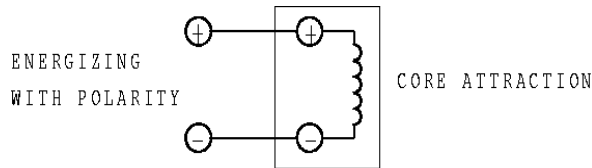
Protection degree

IP 65 (EN 60529) with plug connector

Voltages DC

6-12V (+10% -5%)

(Other voltages on request).



TYPE	POWER ABSORPTION			HOLES		NOTES	WEIGHT (kg)
	AC (VA)		DC (W)	ØA	ØB		
	Inrush	Holding					
ZA70A	-	-	6	10,7	14,2	-	0,14
ZA70C	-	-	3				
ZA70F	-	-	9				

THE VALIDITY OF REPORTED DATA IS REFERRED TO THE DATE OF ISSUE. POSSIBLE UPDATES ARE AVAILABLE ON REQUEST.

0305



青岛秉诚自动化设备有限公司  
地址：中国·青岛市重庆南路99号海尔云街甲3号楼7F

SIRAI® - BUSSERO (MI) - Italy - www.sirai.com

服务热线：4006-918-365  
网址：http://www.asco.store

传真：(86-532)585-10-365  
Email：sales@bechinas.com