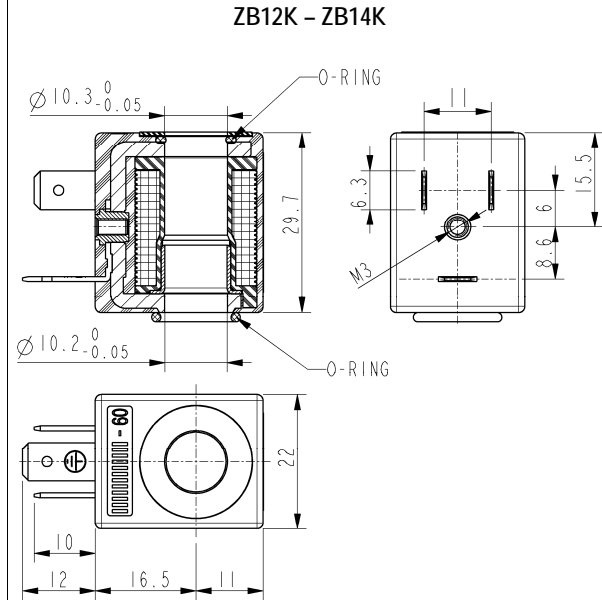
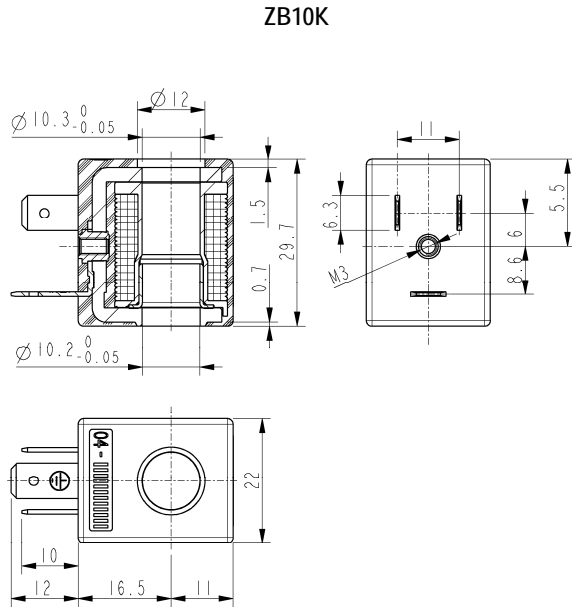




COIL

Spade terminals (DIN 46340)

ZB..K
ONLY FOR L282



► GENERAL FEATURES

Designed only for use with L282 series solenoid valves in AC.
Complying with 73/23/EC (Low Voltage), 2004/108/EC (EMC) directives and relative modifications.
Complying with VDE 0580 standard (100% inspected).

► ELECTRIC CONNECTIONS

Spade terminals 6,3 x 0,8 (DIN46340), 2 line + 1 earth terminals.
3 poles plug connector.

► TECHNICAL FEATURES

	ZB10K	ZB12K	ZB14K
<i>Approval</i>	/	UL and CSA	UL and CSA
<i>Encapsulation material</i>	PA (Polyamide) fiberglass reinforced	PET (polyethylene-terephthalate) fiberglass reinforced	PET (polyethylene-terephthalate) fiberglass reinforced
<i>Insulation class</i>	F (155°C)	F (155°C)	H (180°C)
<i>Ambient temperature</i>	-10°C +60°C	-10°C +60°C	-10°C +75°C
<i>Continuous duty</i>	ED 100%		
<i>Protection degree</i>	IP 65 (EN 60529) with plug connector	IP 67 (EN 60529) with plug connector	IP 67 (EN 60529) with plug connector
<i>Voltages AC</i>	24V/50-60Hz - 115V/50Hz - 230V/50-60Hz (+10% -15%) (Other voltages and frequencies on request).		

TYPE	POWER ABSORPTION			NOTES	WEIGHT (kg)
	AC				
	Inrush VA	Holding VA W			
ZB10K				-	0,060
ZB12K	11,7	10	7,6	1 - 2	
ZB14K					

► NOTES

1 - Fitted with sealing gaskets underneath and on the upper part (see drawing)
2 - UL approval (E153691): 12V/50-60Hz - 24V/50-60Hz - 48V/50-60Hz - 110-120V/50-60Hz - 120V/60Hz - 200V/50-60Hz - 220-230V/50Hz - 208-240V/60Hz - 230V/50-60Hz - 240V/50-60Hz

THE VALIDITY OF REPORTED DATA IS REFERRED TO THE DATE OF ISSUE. POSSIBLE UPDATES ARE AVAILABLE ON REQUEST

120M/1412