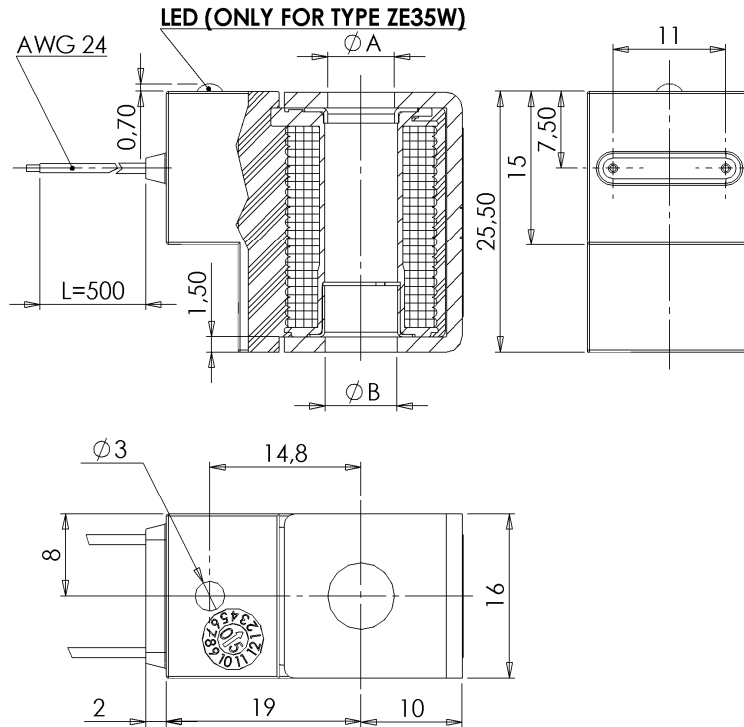




COIL Flying leads

ZE35



► GENERAL FEATURES

Complying with 2014/35/EU (LVD) directive.
Zinc plated external steel yoke.
Product in accordance with the RoHS 2 directive.
100% inspected.

► ELECTRIC CONNECTION

N° 2 wires AWG 24 length 500mm.

► TECHNICAL FEATURES

<i>Continuous duty</i>	ED 100%
<i>Coil insulation class</i>	F (155°C)
<i>Ambient temperature</i>	-10°C +60°C
<i>Protection degree</i>	IP 66 (EN 60529)
<i>Voltages DC</i>	12-24V (+10% -5%)

► ENCAPSULATION MATERIALS

PA (polyamide) fiberglass reinforced; black colour

TYPE	POWER ABSORPTION			HOLES		NOTES	WEIGHT (kg)
	AC (VA)		DC (W)	ØA	ØB		
	Inrush	Holding					
ZE35A			4	6,5	7	1	0,034
ZE35C	-	-	2,5				
ZE35W			4			2	

► NOTES

- Other voltages on request
- With red LED for power supply signal

THE VALIDITY OF REPORTED DATA IS REFERRED TO THE DATE OF ISSUE. POSSIBLE UPDATES ARE AVAILABLE ON REQUEST

14037606

