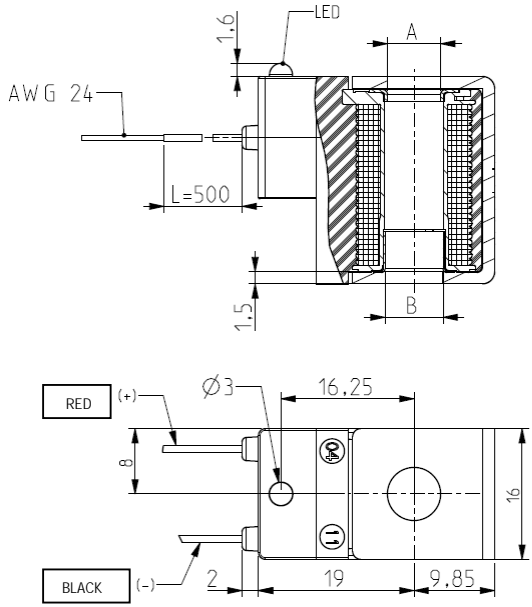




COIL
Flying leads
WITH BUILT-IN PWM CIRCUIT

ZE37M



► **GENERAL FEATURES**

Complying with 2014/35/EU (LVD) directive.
Zinc plated external steel yoke.
Product in accordance with the RoHS 2 directive.
100% inspected.

► **ELECTRIC CONNECTION**

N° 2 wires AWG 24 length 500mm.

► **TECHNICAL FEATURES**

Continuous duty ED 100%
Coil insulation class F (155°C)
Ambient temperature -10°C +60°C
Protection degree IP 66 (EN 60529)
Voltages DC 12-24V (+10% -5%)

► **ENCAPSULATION MATERIALS**

PA (polyamide) fiberglass reinforced; black colour

TYPE	POWER ABSORPTION		HOLES		NOTES	WEIGHT (kg)
	DC (W)		ØA	ØB		
	Inrush ♦	Holding				
ZE37M	8	1.5	6,5	7	-	0,034

► **NOTES**

♦ - Duration 200ms

THE VALIDITY OF REPORTED DATA IS REFERRED TO THE DATE OF ISSUE. POSSIBLE UPDATES ARE AVAILABLE ON REQUEST.



BCAE Industrial Automation
青岛秉诚自动化设备有限公司
地址：中国·青岛市重庆南路99号海尔云街甲3号楼7F

SIRAI™ - BUSSERO (MI) - Italy - www.sirai.com
服务热线：4006-918-365
网址：http://www.asco.store

传真：(86-532)585-10-365
Email：sales@bechinas.com