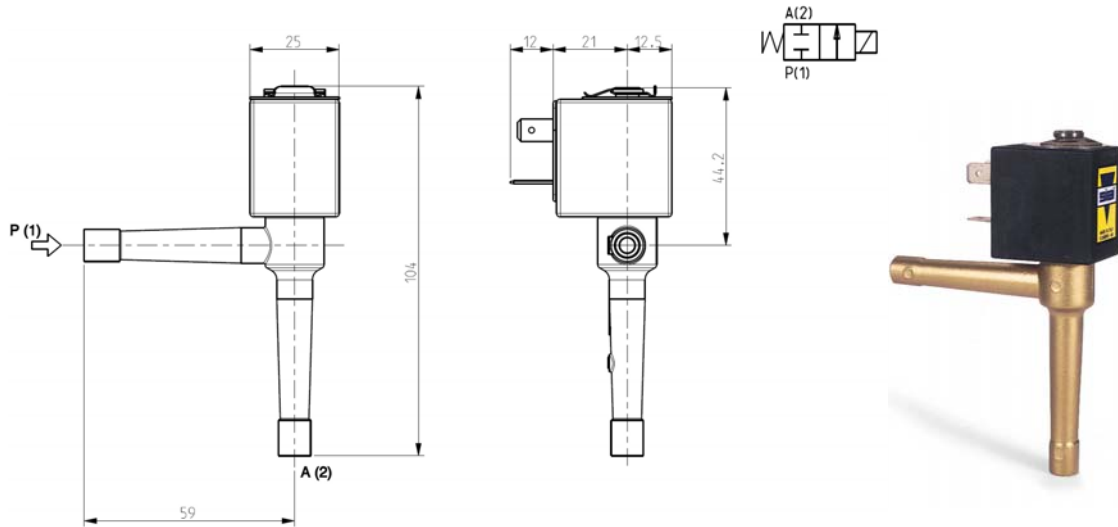




SOLENOID VALVE
2/2- NC (Normally closed)
Direct acting

L104



► **GENERAL FEATURES**

Direct acting solenoid valve. Hermetic construction completely braze welded. Connections to be welded to copper pipes having outside diameter 6,35 mm.

Suitable to shut off liquid and gaseous fluids; particularly suitable to shut off refrigerating fluids (verify the compatibility of fluid with material in contact).

► **TECHNICAL FEATURES**

Maximum allowable pressure (PS) 20 bar
 Opening time ~ 20 ms
 Closing time ~ 20 ms
 Fluid temperature -10°C +90°C
 Max viscosity 5°E (~37 cStokes or mm²/s)

► **MATERIALS IN CONTACT WITH FLUID**

Body Brass
 Sealing CR
 Internal components Stainless steel
 Seat Brass
 Core tube Stainless steel
 Shading coil Copper

► **COIL**

Continuous duty ED 100%
 Encapsulation material PET (polyethylene terephthalate) fiberglass reinforced
 Insulation class F (155°C) on request class H (180°C) - UL
 Ambient temperature -10°C +60°C
 Electric connection DIN 46340 - 3 poles plug-connectors
 Protection degree IP65 (EN 60529) with plug-connector
 Voltages AC 24V/50-60Hz - 110V/50-60Hz (120V/60Hz)
 230V/50-60Hz (+10% -15%)
 (Other voltages and frequencies on request)

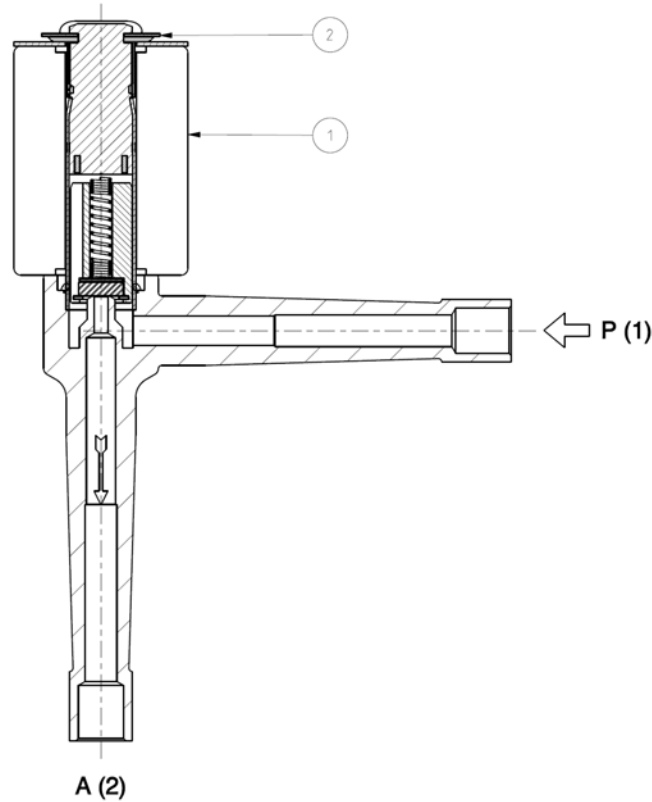
Port size	Orifice size (mm)	Differential pressure (bar)						Kv (m ³ /h)	Series and type		Power absorption			Sealings	Notes	Weight (kg)
		Δp min	Δp max				Valve		Coil	AC (VA)		DC (W)				
			Gases		Liquids					Inrush	Holding					
			AC	DC	AC	DC										
-	2	0	15	-	15	-	0,16	L104N2	Z610A	16	10	-	CR	1-2	0,160	

► **NOTES**

- Sealings: CR = Neoprene elastomer.
- 1 - The valves fitted with 50Hz coil can operate at 60 Hz but in this case the Δp max corresponds to the nominal value less 20%.
- 2 - Minimum order quantity 400 pcs.

L104

► SPARE PARTS



Kit description	Kit P.N.	Consisting of:
Clip	A30263-02	Clip pos. 2
Coil	Z610A	Coil po. 1

► INSTALLATION

- Solenoid valve can be mounted in any position; vertical with coil upwards preferred.
- Valves and coils are supplied separately to allow the pipes welding; during this operation, the central part of the body must not exceed 100°C.

THE VALIDITY OF REPORTED DATA IS REFERRED TO THE DATE OF ISSUE. POSSIBLE UPDATES ARE AVAILABLE ON REQUEST.