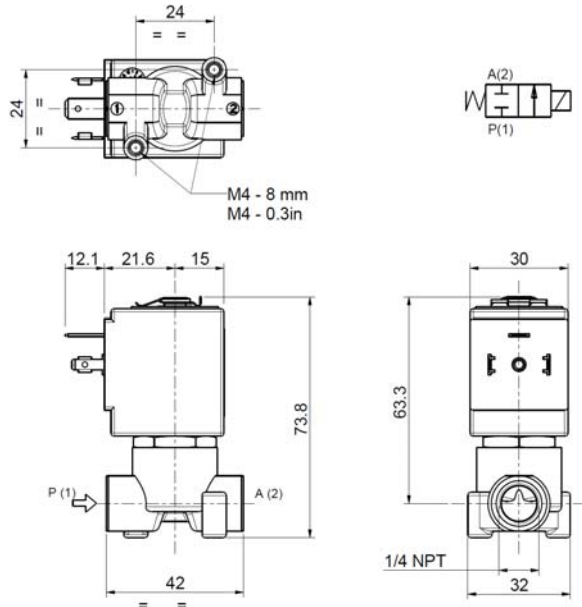




SOLENOID VALVE
2/2 - NC (Normally closed)
Direct acting
1/4 NPT

L121C06-NPT



► **GENERAL FEATURES**

Direct acting solenoid valve.
 Suitable to shut off liquid and gaseous fluids; particularly suitable to shut off overheated water and steam (verify the compatibility of fluid with materials in contact).

► **TECHNICAL FEATURES**

Maximum allowable pressure (PS) 40 bar
 Opening time ~20ms
 Closing time ~20ms
 Fluid temperature -10°C +170°C
 Max viscosity 5°E (~37 cStokes or mm²/s)

► **MATERIALS IN CONTACT WITH FLUID**

Body Brass
 Sealing RUBY
 Internal components Stainless steel
 Seat Stainless steel
 Guide assembly Stainless steel
 Shading ring Copper

► **COIL**

Continuous duty ED 100%
 Encapsulation material PPS (Polyphenylsulfure) fiberglass reinforced
 Coil insulation class F (155°C) on request class H (180°C) - UL
 Ambient temperature -10°C +50°C
 Electric connections DIN 46340 - 3 poles connectors (EN175301-803)
 Protection degree IP 67 (EN 60529) with plug connector
 Voltages DC 12-24V (+10% -5%)
 AC ZA10A: 24V/50Hz - 110V/50Hz (120V/60Hz) - 230V/50Hz (+10% -15%)
 (Other voltages and frequencies on request).

Port size (ins)	Orifice size (mm)	Differential pressure (bar)				Kv (m ³ /h)	Series and type		Power absorption			Sealings	Function Notes	Weight (kg)	
		Δp min	Δp max				Valve	Coil	AC (VA)		DC (W)				
			Gases		Liquids				Inrush	Holding					
			AC	DC	AC										DC
1/4 NPT	3.2	0	17	5	17	5	L121C06	ZA10A	23	14	9	RUBY	1-2-3-4	0,290	
			-	7	-	7		ZA10G	-	-	12				
	8		3	8	2,5	ZA10A		23	14	9					
	-		4	-	4	ZA10G		-	-	12					
4.5					0,40										

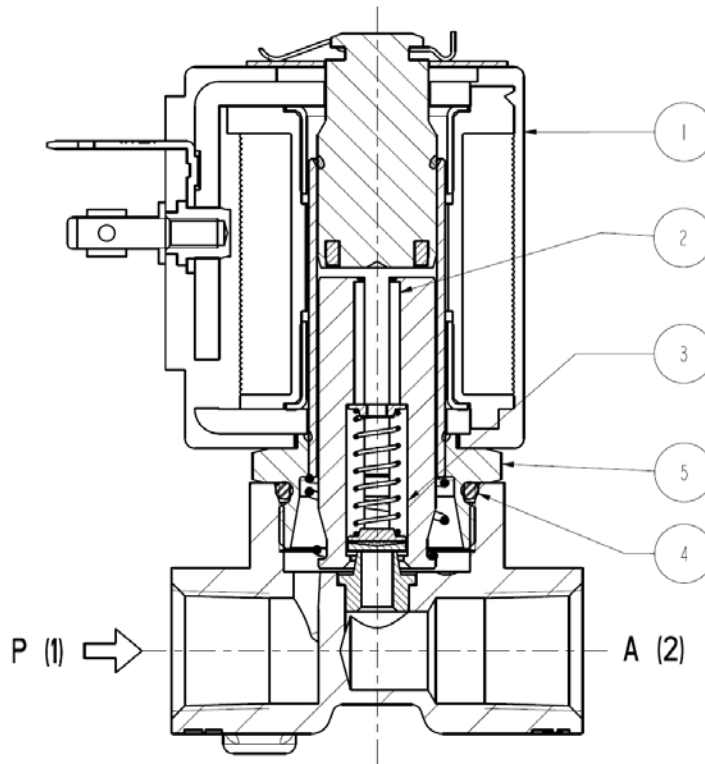
► **NOTES**

- Sealings: RUBY=Synthetic corundum
- 1 - The use of rigid sealings (RUBY) with gaseous fluids implies a slight leakage, generally limited at 2 scc/min at 1 bar pressure.
- 2 - Gasket between core armature and body in FPM (Fluoro-carbon elastomer).
- 3 - Only for use with steam, consider following values: max pressure 8 bar (max temperature of fluid 170°).
- 4 - IMQ CSV approval, see ZA10 datasheet for further details



L121C06-NPT

► SPARE PARTS



Kit description

Core kit

Kit P.N.

G3008802

Consisting of:

Core (with core return spring) pos. 2
OR guide assembly pos. 4

Core return spring kit

G3022401

N.10 core return spring pos. 3

OR guide assembly kit

GU2424000017

N.10 OR guide assembly pos. 4

Guide assembly kit

G31486

Guide assembly pos. 5
Coil clip

Coil

ZA10A
ZA10G

Coil pos. 1

► MOUNTING

Solenoid valve can be mounted in any position; vertical with coil upwards preferred.

THE VALIDITY OF REPORTED DATA IS REFERRED TO THE DATE OF ISSUE. POSSIBLE UPDATES ARE AVAILABLE ON REQUEST.