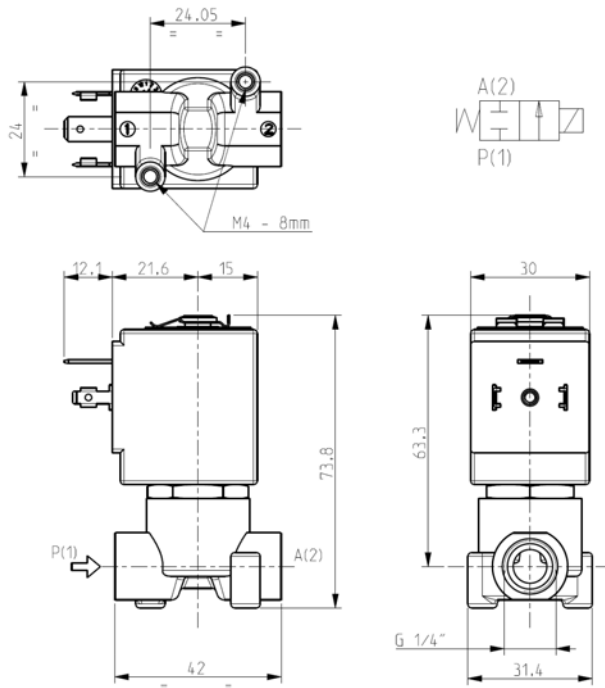




**SOLENOID VALVE**  
**2/2 - NC (Normally closed)**  
**Direct acting**  
**G 1/4**

**L121V05**



► **GENERAL FEATURES**

Direct acting solenoid valve, complying with NSF standards.  
 Suitable to shut off liquid and gaseous fluids (verify the compatibility of fluid with materials in contact).

► **TECHNICAL FEATURES**

Maximum allowable pressure (PS) 40 bar  
 Opening time ~20ms  
 Closing time ~20ms  
 Fluid temperature 0°C +130°C  
 Max viscosity 5°E (~37 cStokes or mm<sup>2</sup>/s)

► **MATERIALS IN CONTACT WITH FLUID**

Body Chemically nickel plated brass (Ni-P)  
 Sealing FPM  
 Internal components Stainless steel  
 Seat Chemically nickel plated brass (Ni-P)  
 Guide assembly Stainless steel  
 Shading ring Copper

► **COIL**

Approval UL (class F) – for UL cl. H: ZA34  
 ED 100%  
 Encapsulation material PPS (Polyphenilsulfure) glass fibre reinforced  
 Coil insulation class F (155°C) on request class H (180°C)  
 Ambient temperature -10°C +50°C  
 Electric connections DIN 46340 - 3 poles connectors (EN175301-803)  
 Protection degree IP 67 (EN 60529) with plug connector  
 Voltages DC 12-24V (+10% -5%)  
 AC ZA10A: 24V/50Hz - 110V/50Hz (120V/60Hz) - 230V/50Hz (+10% -15%)  
 (Other voltages and frequencies on request)

Port size ISO 228	Orifice size (mm)	Differential pressure (bar)				Kv (m <sup>3</sup> /h)	Series and type		Power absorption			Sealings	Notes	Weight (kg)	
		Δp min	Δp max				Valve	Coil	AC (VA)		DC (W)				
			Gases		Liquids				Inrush	Holding					
			AC	DC	AC										DC
G 1/4	3,2	0	12	4	12	4	L121V05	ZA10A	23	14	9	FPM	1	0,290	
			-	7	-	7		ZA10G	-	-	12		-		

► **NOTES**

- Sealings : FPM = Fluoro-carbon elastomer
- IMQ CSV approval, see ZA10 datasheet for further details
- UL approved coil (E153691)
- 1 - On request special coil ZA10X, class "F", with UL homologated windings – see overleaf.



# L121V05

## ► COIL FOR SPECIAL VOLTAGES ZA10X

**Approval** UL (class F); see voltages  
**Continuous duty** ED 100%  
**Encapsulation material** PPS (Polyphenylsulfure) fiberglass reinforced  
**Coil insulation class** F (155°C)  
**Ambient temperature** -10°C +50°C

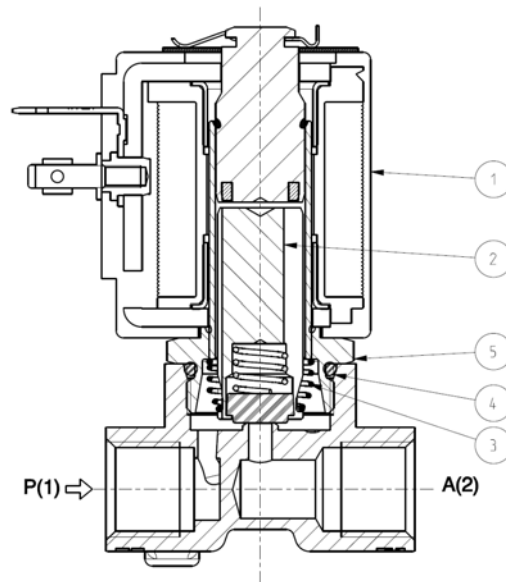
**Ambient temperature** DIN 46340 - 3 poles connectors (EN175301-803)  
**Electric connections** IP 67 (EN 60529) with plug connector  
**Voltages AC** 24V/50-60Hz (UL) ▪ 100V/50-60Hz ▪ 115-120V/60Hz ▪  
 200V/50-60Hz ▪ 220-230V/50Hz ▪ 208-240V/60Hz (UL) ▪  
 220-240V/50Hz (UL) ▪ (+10% -15%)

Port size ISO 228	Orifice size (mm)	Differential pressure (bar)				Kv (m <sup>3</sup> /h)	Series and type		Power absorption			Sealings	Notes	Weight (kg)	
		Δp min	Δp max				Valve	Coil	AC (VA)		DC (W)				
			Gases		Liquids				Inrush	Holding					
			AC	DC	AC										DC
G 1/4	3,2	0	9	-	9	-	0,30	L121V05	ZA10X	23	14	-	FPM	-	0,300

## ► NOTES

- Sealings : FPM = Fluoro-carbon elastomer

## ► SPARE PARTS



## Kit description

Core kit  
 Core return spring kit  
 OR guide assembly kit  
 Guide pipe assembly kit  
 Coil

## Kit P.N.

G3022803  
 G3022401  
 GU2424000017  
 G31486  
 ZA10A  
 ZA10G  
 ZA10X

## Consisting of:

Core (with core return spring) pos. 2  
 OR guide assembly pos. 4  
 N.10 core return spring pos. 3  
 N.10 OR guide assembly pos. 4  
 Guide pipe assembly pos. 5  
 Coil clip  
 Coil pos.1

## ► MOUNTING

Solenoid valve can be mounted in any position; vertical with coil upwards preferred.

THE VALIDITY OF REPORTED DATA IS REFERRED TO THE DATE OF ISSUE. POSSIBLE UPDATES ARE AVAILABLE ON REQUEST.