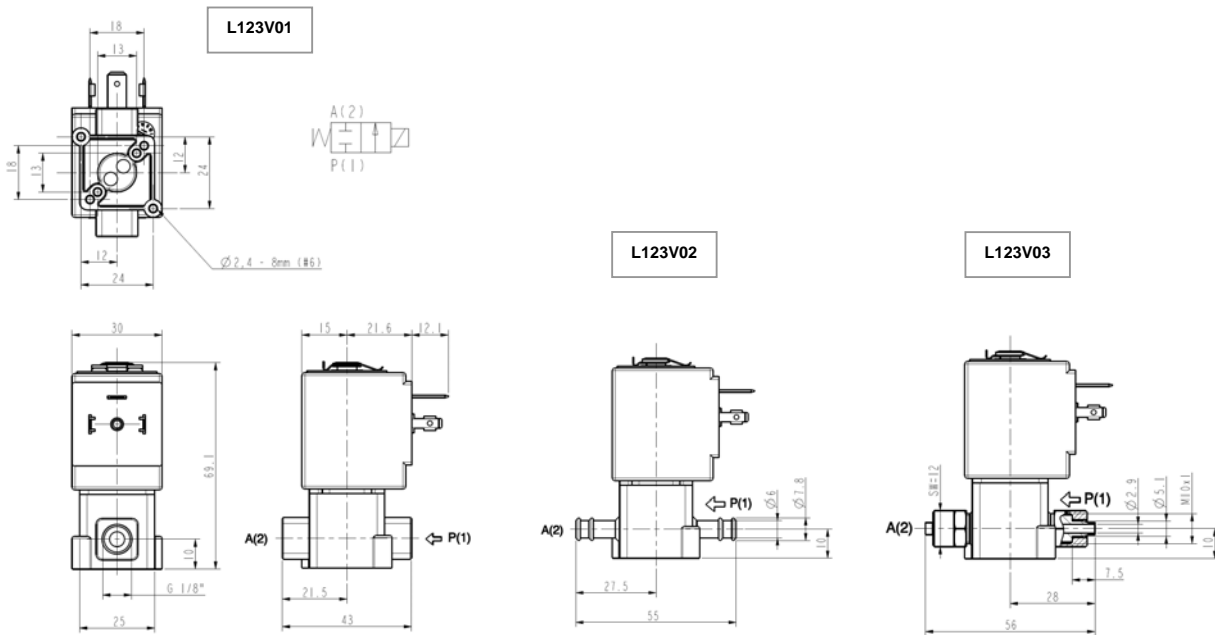




SOLENOID VALVE
2/2 - NC (Normally closed)
 Direct acting
G1/8 - Barbed ports

L123



► **GENERAL FEATURES**

Direct acting solenoid valve.
 Suitable to shut off liquid and gaseous fluids; suitable for low pressure steam and applications in sterilising autoclaves (verify the compatibility of fluid with materials in contact).

► **TECHNICAL FEATURES**

Maximum allowable pressure (PS) 10 bar
 Opening time ~20ms
 Closing time ~20ms
 Fluid temperature 0°C +130°C
 Max viscosity 5°E (~37 cStokes or mm²/s)

► **APPROVALS**

UL (Class F) approval – for UL cl.H: ZA34
 IMQ CSV approval, see ZA10 data sheet for further details
 Compliant with MD 174/2004 and Reg. CE 1935/2004

► **MATERIALS IN CONTACT WITH FLUID**

Body PPS
 Sealing FPM
 Internal components Stainless steel
 Seat PPS
 Guide assembly Stainless steel
 Shading ring Copper

► **COIL**

Continuous duty ED 100%
 Encapsulation material PPS (Polyphenylsulfure) fiberglass reinforced
 Coil insulation class F (155°C) on request class H (180°C)
 Ambient temperature -10°C +50°C
 Electric connections DIN 46340 - 3 poles connectors (EN175301-803)
 Protection degree IP 67 (EN 60529) with plug connector
 Voltages DC 12-24V (+10% -5%)
 AC 24V/50Hz - 110V/50Hz (120V/60Hz) - 230V/50Hz (+10% -15%)
 (Other voltages and frequencies on request)



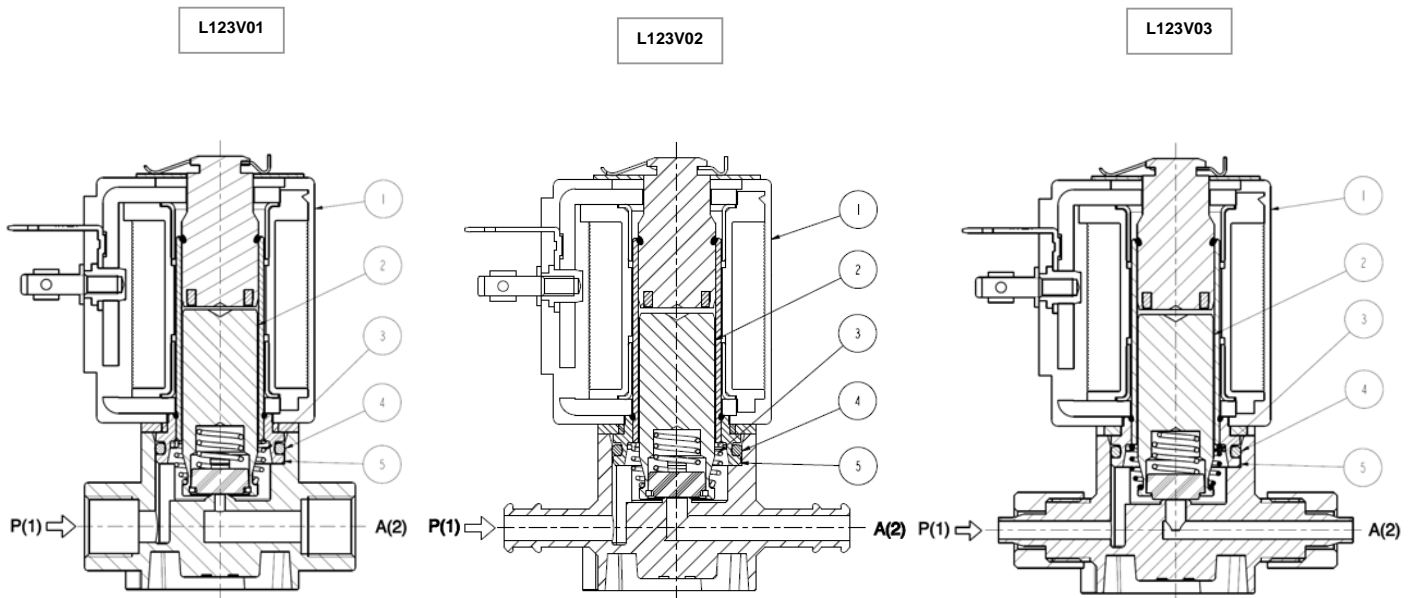
Port size G-ISO 228	Orifice size (mm)	Differential pressure (bar)				Kv (m ³ /h)	Series and type		Power absorption			Sealings	Notes	Weight (kg)								
		Δp min	Δp max				Valve	Coil	AC (VA)		DC (W)											
			Gases		Liquids				Inrush	Holding												
			AC	DC	AC										DC							
G 1/8	1.6	0	10	10	10	10	L123V01	ZA10A	23	14	9	FPM	1-2-3	0,210								
	2.3		10	10	10	10																
	3.2		10	4	10	4									0.25							
Barbed ports	1.6		10	10	10	10									L123V02	ZA10A	23	14	9	FPM	2-3	0,210
	2.3		10	10	10	10																
	3.2		10	4	10	4																
Barbed ports with ring nut	1.6		10	10	10	10									L123V03	ZA10A	23	14	9	FPM	2-3-4	0,210
	2.3		10	10	10	10																
	3.2		10	4	10	4																

► **NOTES**

- Sealings: FPM = Fluoro-carbon elastomer
- UL approved coil (E153691)
- 1 - Maximum driving torque of the pipe fittings for thread connections = 2Nm
- 2 - Only for use with steam, consider following values: PSmax 2,8 bar (max fluid temperature 130°)
- 3 - The pressure values shown in the table refer to the potential of the valve: they can be lower depending on the connection system used
- 4 - Maximum driving torque of ring nut 1,2Nm



► SPARE PARTS



Kit description

Core kit
 Core return spring kit
 O-Ring guide assembly kit
 Guide assembly kit
 Coil

Kit P.N.

G3139401
 G3022401
 GU242800017
 G31487
 ZA10A

Consisting of:

Core pos. 2
 N.10 core return spring pos. 3
 N.10 O-Ring guide assembly pos. 4
 Guide assembly pos. 5
 Coil clip
 Coil pos.1

► MOUNTING

- Solenoid valve can be mounted in any position; vertical with coil upwards preferred.
- When using any sealant for fittings, please check its chemical compatibility with body material (PPS).
- In case of disassembling for usual maintenance, the fixing screws of the guide assembly have to be tightened with $0,6 \pm 0,7$ Nm torque.