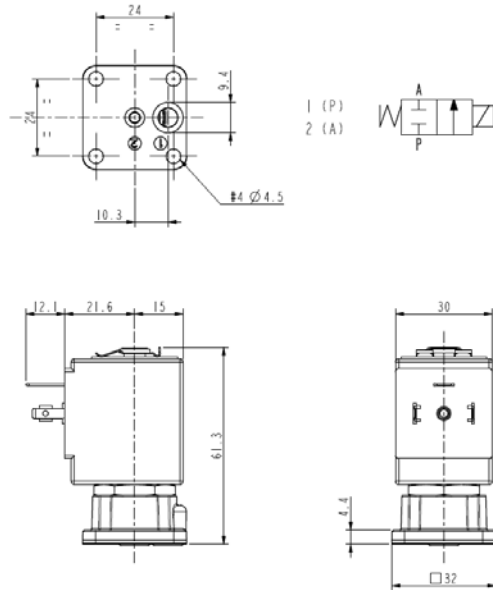




**SOLENOID VALVE**  
**2/2 - NC (Normally closed)**  
 Direct acting  
 Sub-base mounting

**L134V05-V06**



► **GENERAL FEATURES**

Direct acting solenoid valve, designed for sub-base mounting or directly on the equipment.  
 Inlet and outlet ports placed asymmetrically at the bottom of the body.  
 Valve delivered with sealing O-rings.  
 Suitable to shut off liquid and gaseous fluids; (verify the compatibility of fluid with materials in contact).

► **TECHNICAL FEATURES**

Maximum allowable pressure (PS) 40 bar  
 Opening time ~20ms  
 Closing time ~20ms  
 Fluid temperature 0°C +130°C  
 Max viscosity 5°E (~37 cStokes or mm<sup>2</sup>/s)

► **APPROVALS**

UL (Class F) approval – for UL c.l.H: ZA34  
 IMQ CSV approval, see ZA10 data sheet for further details  
 Compliant with MD 174/2004 and Reg. CE 1935/2004

► **MATERIALS IN CONTACT WITH FLUID**

Body Brass  
 Sealing FPM  
 Internal components Stainless steel  
 Seat Brass or stainless steel  
 Core tube Stainless steel  
 Shading coil Copper

► **COIL**

Continuous duty ED 100%  
 Encapsulation material PPS (Polyphenilsulfure) fiberglass reinforced  
 Insulation class F (155°C) on request class H (180°C)  
 Ambient temperature -10°C +50°C  
 Electric connections DIN 46340 - 3 poles plug connector (EN175301-803)  
 Protection degree IP 67 (EN 60529) with plug connector  
 Voltages DC 12-24V (+10% -5%)  
 AC 24V/50Hz-110V/50Hz (120V/60Hz)-230V/50Hz (+10% -15%)  
 (Other voltages and frequencies on request)



Port size	Orifice size (mm)	Differential pressure (bar)						Kv (m <sup>3</sup> /h)	Series and type		Power absorption			Sealings	Notes	Weight (kg)
		Δp min	Δp max				Valve		Coil	AC (VA)		DC (W)				
			Gases		Liquids					Inrush	Holding					
			AC	DC	AC	DC										
-	1,6	0	30	30	30	30	0,09	L134V06	ZA10A	23	14	9	FPM	1 - 2	0,240	
	2,3		20	16	20	16	0,15	L134V05						1		

► **NOTES**

- Sealings : FPM = Fluoro-carbon elastomer  
 - IMQ CSV approval, see ZA10 datasheet for further details  
 - UL approved coil (E153691)  
 1 - On request special coil ZA10X, class "F", with UL homologated windings - see overleaf.  
 2 - Solenoid valve with stainless steel seat, suitable for overheated water and steam.

# L134V05-V06

## ► COIL FOR SPECIAL VOLTAGES ZA10X

Approval UL (class F); see voltages  
 Continuous duty ED 100%  
 Encapsulation material PPS (Polyphenylsulfure) fiberglass reinforced  
 Coil insulation class F (155°C)  
 Ambient temperature -10°C +50°C

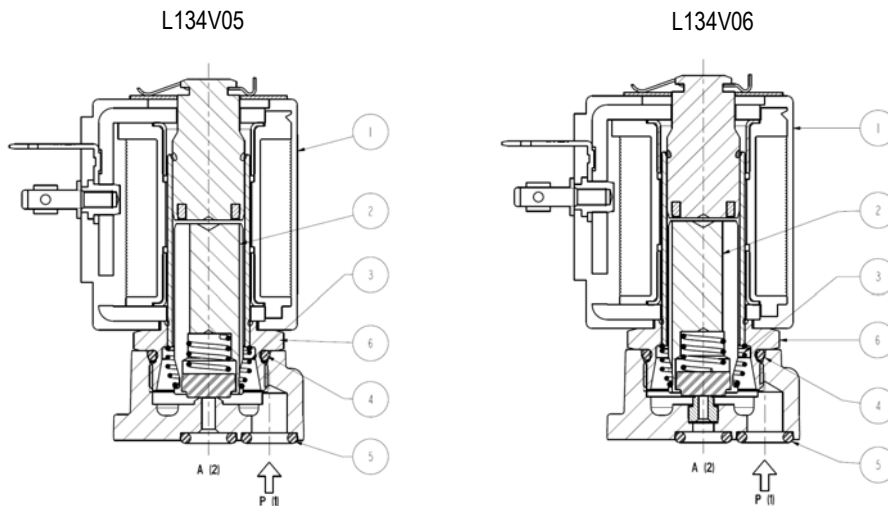
Electric connections DIN 46340 - 3 poles connectors (EN175301-803)  
 Protection degree IP 67 (EN 60529) with plug connector  
 Voltages AC 24V/50-60Hz (UL) ▪ 100V/50-60Hz ▪ 115-120V/60Hz ▪  
 200V/50-60Hz ▪ 220-230V/50Hz - 208-240V/60Hz (UL) ▪  
 220-240V/50Hz (UL) ▪ (+10% -15%)

Port size	Orifice size (mm)	Differential pressure (bar)				Kv (m <sup>3</sup> /h)	Series and type		Power absorption			Sealings	Notes	Weight (kg)	
		Δp min	Δp max				Valve	Coil	AC (VA)		DC (W)				
			Gases		Liquids				Inrush	Holding					
			AC	DC	AC										DC
-	1,6	0	30	-	30	-	L134V06	ZA10X	3	14	-	FPM	-	0,250	
	2,3		16	-	16	-	L134V05								

## ► NOTES

- Sealings : FPM = Fluoro-carbon elastomer

## ► SPARE PARTS



## Kit description

Core kit  
 Core return spring kit  
 O-Ring guide assembly kit  
 O-Ring body kit  
 Guide assembly kit  
 Coil

## Kit P.N.

G3022803  
 G3022401  
 GU2424000017  
 GU2424000007  
 G31486  
 ZA10A  
 ZA10X

## Consisting of:

Core pos.2  
 N.10 core return spring pos.3  
 N.10 O-Ring guide assembly pos.4  
 N.10 O-Ring body pos.5  
 Guide assembly pos.6  
 Coil clip  
 Coil pos.1

## ► MOUNTING

Solenoid valve can be mounted in any position; vertical with coil upwards preferred.

THE VALIDITY OF REPORTED DATA IS REFERRED TO THE DATE OF ISSUE. POSSIBLE UPDATES ARE AVAILABLE ON REQUEST.