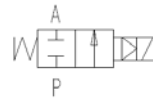
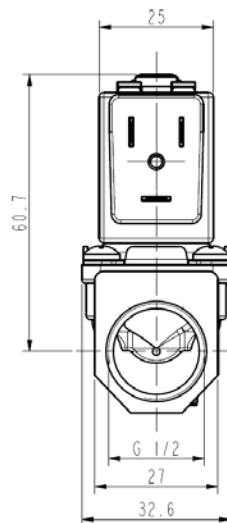
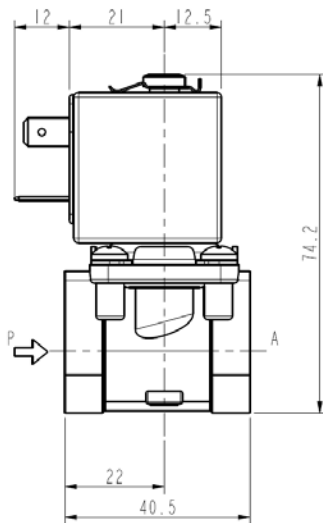




**SOLENOID VALVE**  
**2/2 - NC (Normally closed)**  
**Pilot operated**  
**G1/2**

**L140**



► **GENERAL FEATURES**

Diaphragm valve, pilot operated, having full orifice.  
 Suitable to shut off liquid and gaseous fluids (verify the compatibility of fluid with materials in contact).

► **TECHNICAL FEATURES**

Maximum allowable pressure (PS) 16 bar  
 Opening time ~30ms  
 Closing time ~50ms  
 Fluid temperature  
 -10°C +90°C (NBR)  
 0°C +100°C (FPM)  
 -10°C +100°C (EPDM)  
 Max viscosity 5°E (~37 cStokes or mm<sup>2</sup>/s)

► **MATERIALS IN CONTACT WITH FLUID**

Body Brass  
 Sealing NBR or FPM or EPDM  
 Internal components Stainless steel and POM (acetal copolymer)  
 Seat Brass  
 Guide assembly Stainless steel  
 Shading ring Copper

► **COIL**

Continuous duty ED 100%  
 Encapsulation material PET (polyethylene terephthalate) fiberglass reinforced  
 Insulation class F (155°C) on request class H (180°C) - UL  
 Ambient temperature -10°C +60°C  
 Electric connections DIN 46340 - 3 poles connectors  
 Protection degree IP 65 (EN 60529) with plug connector  
 Voltages AC 24V/50-60Hz - 110V/50-60Hz (120V/60Hz)  
 230V/50-60Hz (+10% -15%)  
 (Other voltages and frequencies on request)

Port size ISO 228	Ø Int. (mm)	Differential pressure (bar)				Kv (m <sup>3</sup> /h)	Series and type		Power absorption			Sealings	Notes	Weight (kg)	
		Δp min	Δp max		Valve		Coil	AC (VA)		c.c. (W)					
			Gas	Liquids				Inrush	Holding						
			c.a.	c.c.	c.a.	c.c.									
G 1/2	10	0.35	10	-	10	-	1.5	L140B5 L140V5 L140D05	Z610A	16	10	-	NBR FPM EPDM	1	0,270

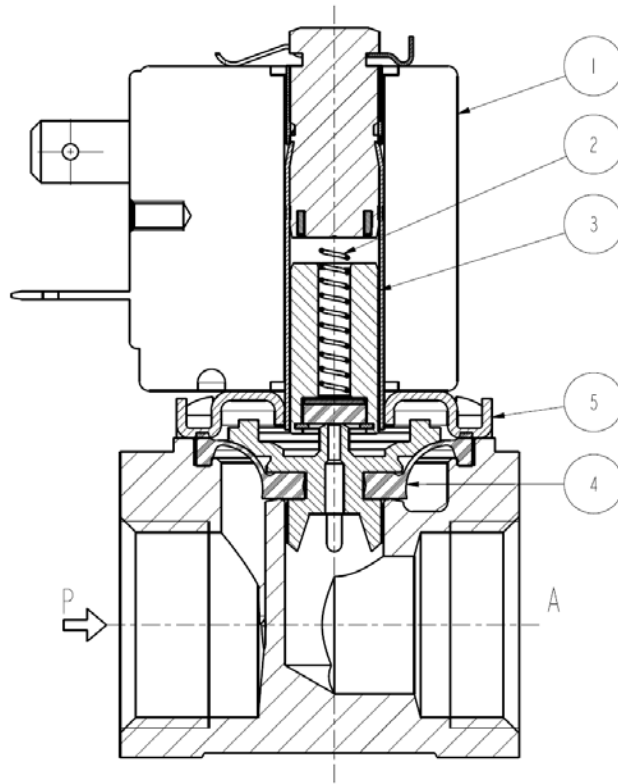
► **NOTES**

- Sealings : NBR = Nitrile-butylene elastomer FPM = Fluoro-carbon elastomer EPDM = Ethylene-propylene elastomer (WRAS/KTW certified compound)  
 - Continuous changes of pressure may reduce the life of the diaphragm.  
 1 - The Δp max value is valid only for 50Hz; for operation at 60Hz, Δp max is 5 bar.



# L140

## ► SPARE PARTS



Kit description	Kit P.N.	Consisting of:	
Core kit	L140B5 L140V5 L140D05	G2851701 G2851702 G2851704	Core pos. 3 Core return spring pos. 2
Core return spring kit		G2733901	N.10 Core return springs pos. 2
Diaphragm assembly	L140B5 L140V5 L140D05	2706503R 2706504R 2706507R	Diaphragm assembly pos. 4
Guide pipe assembly kit		G3152901	Guide pipe assembly pos. 5 Coil clip
Coil		Z610A	Coil pos. 1

## ► MOUNTING

Solenoid valve can be mounted in any position; vertical with coil upwards preferred.

THE VALIDITY OF REPORTED DATA IS REFERRED TO THE DATE OF ISSUE. POSSIBLE UPDATES ARE AVAILABLE ON REQUEST.