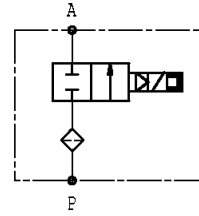
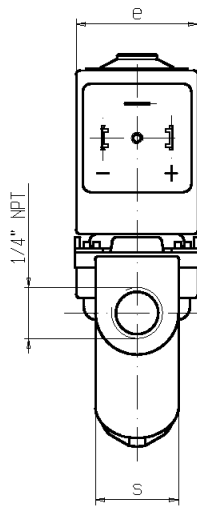
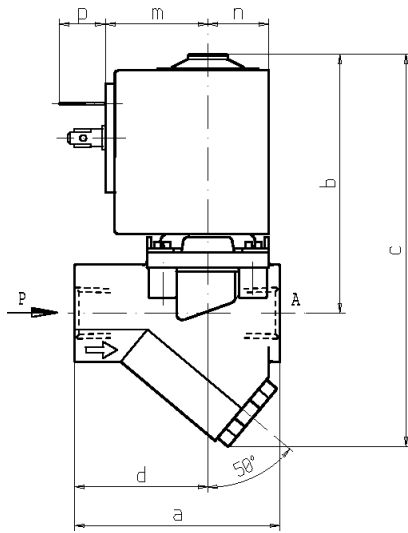




SOLENOID VALVE
2/2 - NC (Normally closed)
Pilot operated
1/4 NPT

L142-NPT
LATCHING MODEL



| | a | b | c | d | e | m | n | p | s |
|----|------|------|------|------|------|------|------|------|------|
| in | 2.12 | 2.68 | 4.05 | 1.38 | 1.26 | 0.63 | 1.06 | 0.47 | 0.87 |
| mm | 54 | 68 | 103 | 35 | 32 | 27 | 16 | 12 | 22 |

► **GENERAL FEATURES**

Pilot operated solenoid valve with full orifice.
 Built-in strainer fitted on the inlet flow path.
 Suitable to shut off liquid and gaseous fluids (verify the compatibility of fluid with materials in contact).
 Not suitable for use with dangerous fluids listed in Group 1, therefore they are free from CE marking in conformity with article 3 § 3 of the European Directive 97/23/EC (Pressure Equipment Directive).

► **TECHNICAL FEATURES**

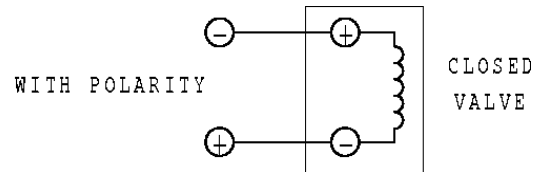
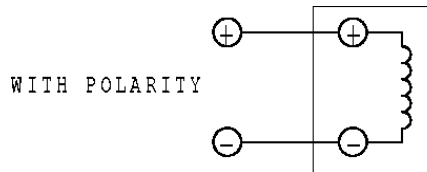
Maximum allowable pressure (PS) 232 psi
Opening time ~30ms
Closing time ~50ms
Fluid temperature +14°F +194°F (NBR)
Max viscosity ~3.98 x 10⁻⁴ft²/sec (~37 cStokes or mm²/s, 5°E)

► **MATERIALS IN CONTACT WITH FLUID**

Body Brass
Sealing NBR
Internal components Stainless steel and POM (acetal copolymer)
Seat Brass
Core tube Stainless steel

► **COIL**

Duty Latching model, polarized type, operating by impulses.
Minimum energizing time 50ms
Coil impregnation Polyester resin
Encapsulation material PP-V0 (self-extinguishing polypropylene).
Coil insulation class A (194°F)
Ambient temperature +14°F +140°F
Electric connections DIN 46340 - 3 poles plug connectors (EN175301-803)
Protection degree IP 65 (EN 60529) with plug connector
Voltages DC 6-12V (+10% -5%)
 (Other voltages on request).



| Pipe size (ins) | Orifice size (ins) | Differential pressure (PSI) | | | | Cv (GPM) | Series and type | | Power absorption | | | Sealings | Notes | Weight (lbs) | |
|-----------------|--------------------|-----------------------------|--------|-----|---------|----------|-----------------|---------|------------------|---------|--------|----------|-------|--------------|------|
| | | Δp min | Δp max | | | | Valve | Coil | AC (VA) | | DC (W) | | | | |
| | | | Gases | | Liquids | | | | Inrush | Holding | | | | | |
| | | | AC | DC | AC | | | | | | | | | | DC |
| 1/4 NPT | 25/64 | 5 | - | 130 | - | 130 | 0.58 | L142B01 | Z570C | - | - | 3 | NBR | - | 0.22 |

► **NOTES**

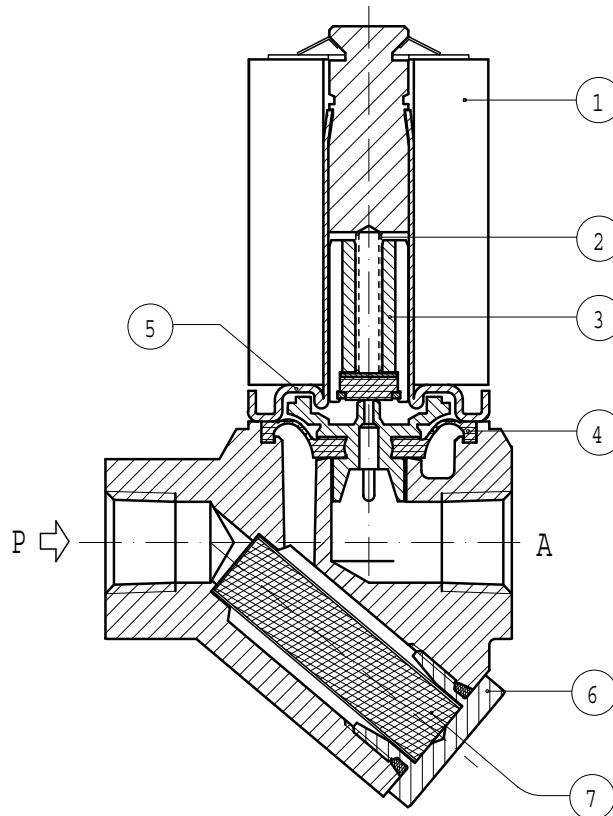
- Sealings : NBR = Nitrile-butylene elastomer

0605/0703



L142-NPT

► SPARE PARTS



| Kit description | Kit P.N. | Consisting of: |
|------------------------|----------|---|
| Core kit | G3042601 | Core pos. 3 Core return spring pos.2 |
| Strainer kit | G3092801 | Strainer pos.7 Threaded plug pos.6 |
| Core return spring kit | G2781701 | N.10 core return spring pos. 3 |
| Diaphragm assembly | 2706503 | Diaphragm assembly pos.4 |
| Guide assembly | 2604403 | Guide assembly pos. 5 |
| Coil | Z570C | Coil pos. 1 |

► INSTALLATION

- Solenoid valve can be mounted in any position; vertical with coil upwards preferred.
- In case of strainer replacement, the threaded plug has to be tightened at $10 \div 15$ Nm torque.

THE VALIDITY OF REPORTED DATA IS REFERRED TO THE DATE OF ISSUE. POSSIBLE UPDATES ARE AVAILABLE ON REQUEST.