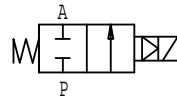
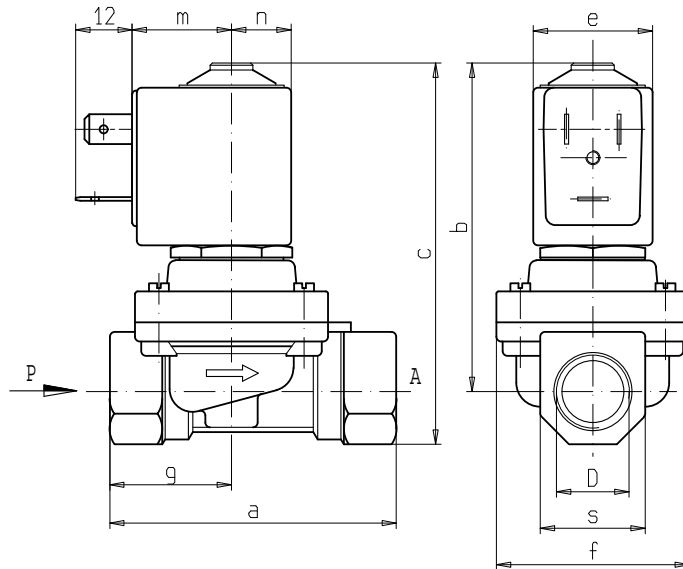




SOLENOID VALVE
2/2 - NC (Normally closed)
Pilot operated
3/8 ÷ 1 NPT

L145-NPT



D	a	b	c	e	f	m	n	s	g
3/8 NPT	60	69	80	25	40	21	12,5	22	25,5
1/2 NPT	66	72	85	25	40	21	12,5	27	33
3/4 NPT	79	78	94,5	32	50	27	16	33	39,5
1 NPT	105	102	123	32	71	27	16	42	46

► **GENERAL FEATURES**

Diaphragm valve, pilot operated, having full orifice.
 Suitable to shut off liquid and gaseous fluids; particularly suitable to shut off overheated water and steam (verify the compatibility of fluid with materials in contact).

► **TECHNICAL FEATURES**

Maximum allowable pressure (PS) 3/8 NPT and 1/2 NPT: 16 bar
 Opening time ~100ms
 Closing time from ~500ms to ~1500ms
 Fluid temperature +60°C +170°C
 Max viscosity 5°E (~37 cStokes or mm²/s)

► **MATERIALS IN CONTACT WITH FLUID**

Body Brass
 Sealing Reinforced PTFE (Polytetrafluorethylene)
 Internal components Brass and stainless steel
 Seat Stainless steel
 Guide assembly Stainless steel
 Shading ring Copper

► **COIL**

Continuous duty ED 100%
 Encapsulation material PET (polyethylene terephthalate) fiberglass reinforced
 Insulation class Z5: H(165°C) – UL – Z6: H(180°C) - UL
 Ambient temperature -10°C +80°C
 Electric connections Z5: DIN 46340 – 3 poles connector (EN175301-803)
 Z6: DIN 46340 – 3 poles connector
 Protection degree IP 65 (EN 60529) with plug connector
 Voltages AC 24V/50Hz - 110V/50Hz (120V/60Hz)
 230V/50Hz (+10% -15%)
 (Other voltages and frequencies on request).

Port size (ins)	Ø Int. (mm)	Differential pressure (bar)				Kv (m ³ /h)	Series and type		Power absorption			Sealings	Notes	Weight (kg)
		Δp max					Valve	Coil	AC (VA)		c.c. (W)			
		Δp min							Inrush	Holding				
		c.a.	c.c.	c.a.	c.c.									
3/8 NPT	10	0,4	8	8	2	L145R06	Z614A	16	10	-	reinforced PTFE	1	0,360	
1/2 NPT					2,5									0,415
3/4 NPT	4,5		0,760											
1 NPT	8,5			1,365										

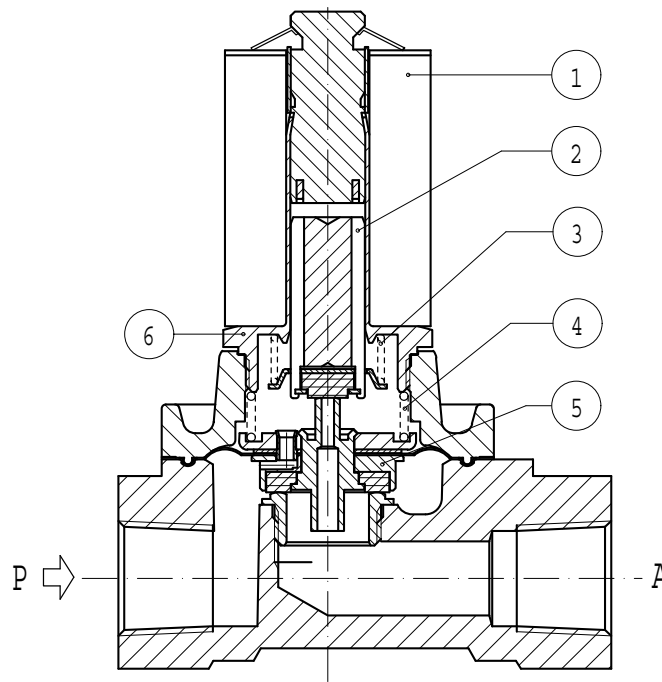
► **NOTES**

- Sealings : PTFE = Polytetrafluorethylene (reinforced)
 1 - On request Z610A or Z530A coil, encapsulated in PET (Polyethylene terephthalate) class "F": maximum fluid temperature +100°C, maximum ambient temperature +60°C.



L145-NPT

► SPARE PARTS



Kit description		Kit P.N.	Consisting of:
Core kit	G3/8 – G1/2 G3/4 – G1	G2641702 G2665102	Core pos. 2 Core return spring pos. 3
Diaphragm assembly kit	G3/8 – G1/2 G3/4 G1	G2647501 G2653301 G2665201	Diaphragm assembly pos. 5 Spring on diaphragm pos. 4
Spring on diaphragm kit	G3/8 – G1/2 G3/4 G1	G2635301 G2641501 G2662201	N. 10 springs on diaphragm pos. 4
Core return spring kit	G3/8 – G1/2 G3/4 – G1	G2651301 G2555101	N.10 core return spring pos. 3
Guide assembly	G3/8 – G1/2 G3/4 – G1	2817601R 2797701R	Guide assembly pos. 6
Coil	G3/8 – G1/2 G3/4 – G1	Z614A Z534A	Coil pos. 1

► MOUNTING

Solenoid valve can be mounted in any position; vertical with coil upwards preferred.

THE VALIDITY OF REPORTED DATA IS REFERRED TO THE DATE OF ISSUE. POSSIBLE UPDATES ARE AVAILABLE ON REQUEST.