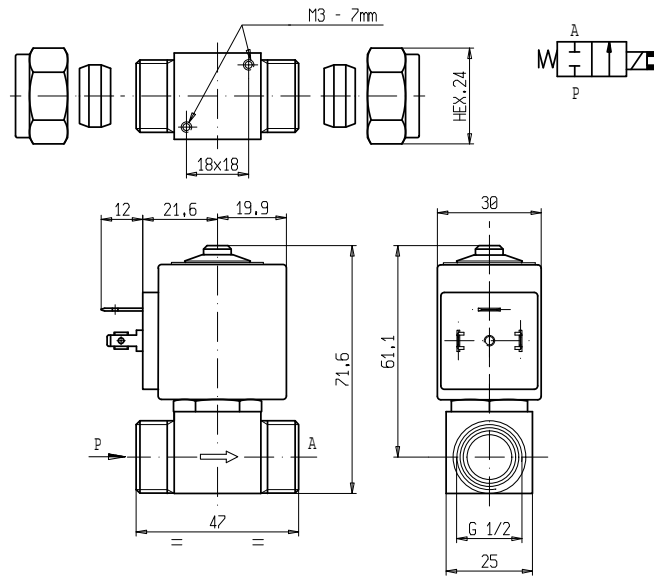




**SOLENOID VALVE**  
**2/2 – NC (Normally closed)**  
**Direct acting**

**L160P03**  
**LATCHING MODEL**



► **GENERAL FEATURES**

Direct acting solenoid valve.  
 Fitted with compression fittings for copper tubes O.D. 15 mm.  
 Suitable to shut off liquid and gaseous fluids (verify the compatibility of fluid with materials in contact).

► **TECHNICAL FEATURES**

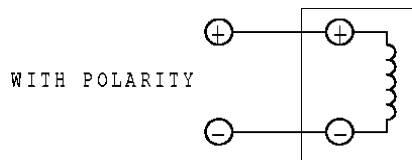
Maximum allowable pressure (PS) 20 bar  
 Opening time ≤ 30 ms  
 Closing time ≤ 30 ms  
 Fluid temperature -10°C +85°C  
 Max viscosity 5°E (37 cStokes @ 0 mm<sup>2</sup>/s)

► **MATERIALS IN CONTACT WITH FLUID**

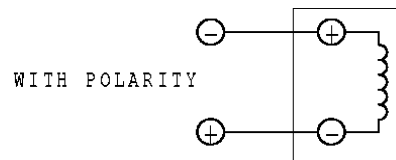
Body Brass  
 Sealing EPDM (WRAS/KTW approved)  
 Internal components Stainless steel  
 Seat Brass  
 Core tube Stainless steel

► **COIL**

Duty Latching model, polarized type. Operating by impulses.  
 Minimum energizing time 30 ms  
 Encapsulation material PP-V0 (self-extinguishing polypropylene)  
 Insulation class A (105°C)  
 Ambient temperature -10°C +60°C  
 Electric connections DIN 46340 - 3 poles connectors (EN 175301-803)  
 Protection degree IP 65 (EN 60529) with plug connector  
 Voltages DC 6-12V (+10% -10%)  
 (Other voltages on request)



OPEN VALVE



CLOSED VALVE

Port size	Orifice size (mm)	Differential pressure (bar)				Kv (m <sup>3</sup> /h)	Series and type		Power absorption			Sealings	Notes	Weight (kg)	
		Δp min	Δp max		Valve		Coil	AC (VA)		DC (W)					
			Gases	Liquids				Inrush	Holding						
											AC				DC
-	2,3	0	-	9	-	9	0,15	L160P03	ZA70A	-	-	6	EPDM	1	0,300

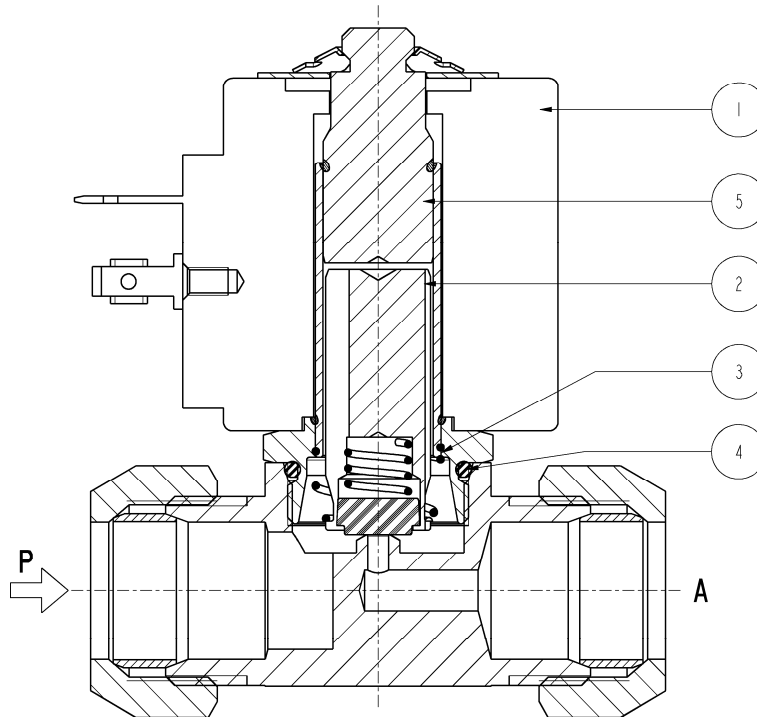
► **NOTES**

- Sealings: EPDM = Ethylene-propylene elastomer (WRAS/KTW approved)  
 1 - WRAS approved solenoid valve

0812/0909



► SPARE PARTS



Kit description	Kit P.N.	Consisting of :
Core kit	G3022808	Core pos. 2 Core return springs pos. 3 OR guide assembly pos. 4
Core return spring kit	G3022401	N.10 Core return springs pos. 3
Guide assembly	3096301R	Guide assembly pos. 5
Coil	ZA70A	Coil pos. 1

► INSTALLATION

- Solenoid valve can be mounted in any position; vertical with coil upwards preferred.

THE VALIDITY OF REPORTED DATA IS REFERRED TO THE DATE OF ISSUE. POSSIBLE UPDATES ARE AVAILABLE ON REQUEST