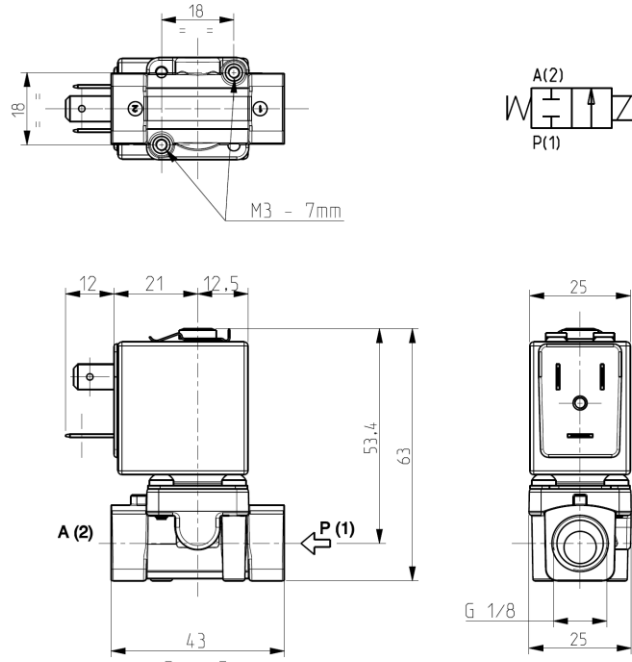




SOLENOID VALVE
2/2 - NC (Normally closed)
Direct acting
G 1/4

L171



► **GENERAL FEATURES**

Direct acting solenoid valve.
 Suitable to shut off liquid and gaseous fluids (verify the compatibility of fluid with material in contact)

► **TECHNICAL FEATURES**

Maximum allowable pressure (PS) 30bar
 Opening time from ~10ms to ~20ms
 Closing time from ~10ms to ~20ms
 Fluid temperature 0°C +130°C (FPM)
 -10°C +90°C (NBR)
 Max viscosity 5°E (~37 cStokes or mm²/s)

► **MATERIALS IN CONTACT WITH FLUID**

Body Brass
 Sealing FPM or NBR
 Internal components Stainless steel
 Seat Brass
 Core tube Stainless steel
 Shading coil Copper

► **COIL**

Continuous duty ED 100%
 Encapsulation material PET (polyethylene terephthalate) fibreglass reinforced
 Insulation class F(155°C) - on request class H (180°C) - UL
 Ambient temperature -10°C +60°C
 Electric connection DIN 46340 - 3 poles plug connectors
 Protection degree IP 65 (EN 60529) with plug connectors
 Voltages DC 12-24V (+10% -5%)
 AC 24V/50-60Hz - 110V/50-60Hz (120V/60Hz)
 230V/50-60Hz (+10% -15%)
 (Other voltages and frequencies on request)

Port size ISO-228	Orifice size (mm)	Differential pressure (bar)				Kv (m ³ /h)	Series and type		Power absorption		Sealings	Notes	Weight (kg)
		Δp min	Δp max		Valve		Coil	AC (VA)		DC (W)			
			Gases	Liquids				Inrush	Holding				
G 1/4	3	0	7	-	7	0,25	L171B13	Z610A	16	10	-	-	NBR
				-	-		L171V13						FPM
	2,5		2,5	-	L171B13	NBR							
	-		-	L171V13	FPM								
	4,5	1	1	3,5	3,5	0,25	L171B14		-	-	6		NBR
							-						-
	6	0,3	0,3	0,3	0,3	0,65	L171B14		-	-	6		NBR
							-						-

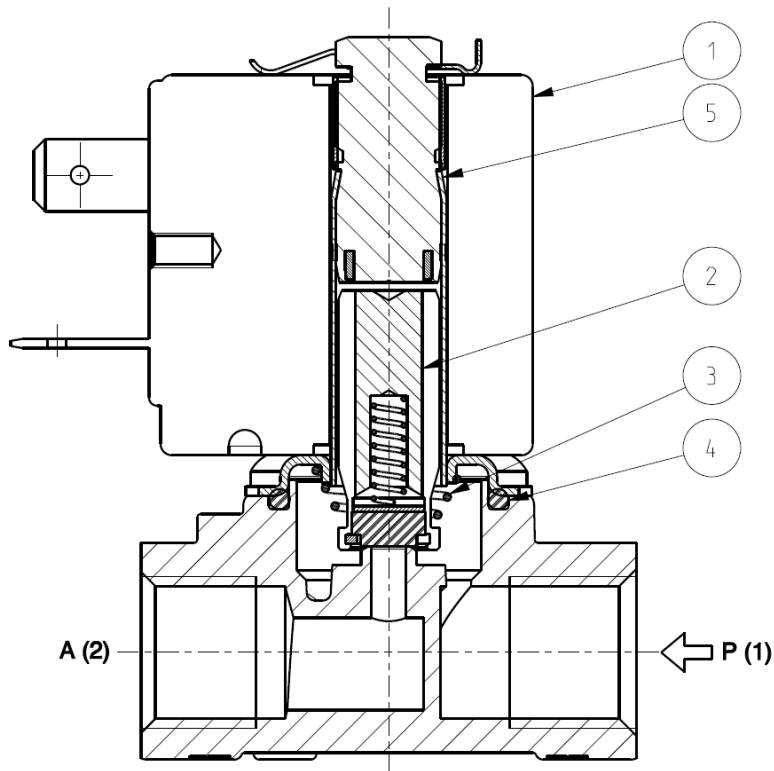
► **NOTES**

- Sealings: FPM = Fluoro-carbon elastomer NBR = Nitrile-butylene elastomer



L171

► SPARE PARTS



Kit description

Kit P.N.

Consisting of:

Core Kit	L171B13 Ø3	G2937301	Core pos.2 Core return spring pos.3 OR guide assembly pos.4
	L171B13 Ø4,5 - 6	G2951301	
	L171V13 Ø3	G2937303	
	L171V13 Ø4,5 - 6	G2951302	
Core return spring kit	L171B14 Ø3	G2951201	N.10 core return spring pos.3
	L171B14 Ø6	G2951401	
	L171V14 Ø3	G2951202	
	L171V14 Ø4,5 - 6	G2951402	
Core return spring kit	L171B-V13	G2927101	N.10 core return spring pos.3
	L171B-V14 Ø3	G2926901	
	L171B-V14 Ø6	G2960901	
OR guide assembly kit	L171B13-14	GU2421000017	N.10 OR guide assembly kit pos.4
	L171V13-14	GU2424000017	
Guide pipe assembly kit		G3151601	Guide pipe assembly pos.5 Coil clip
Coil		Z610A	Coil pos.1

► INSTALLATION

- Solenoid valve can be mounted in any position; vertical with coil upwards preferred.

THE VALIDITY OF REPORTED DATA IS REFERRED TO THE DATE OF ISSUE. POSSIBLE UPDATES ARE AVAILABLE ON REQUEST