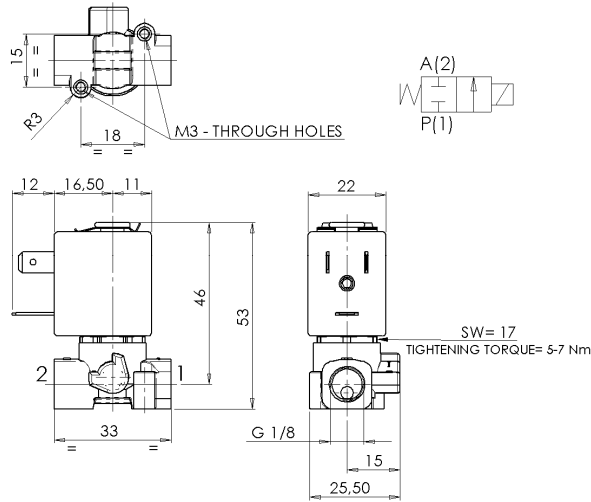




SOLENOID VALVE
2/2- NC (Normally closed)
 Direct acting
G 1/8

L172



► **GENERAL FEATURES**

Direct acting solenoid valve.
 Available also integrated on manifold (2÷10 actuators), see the technical data sheet L672.
 Suitable to shut off liquid and gaseous fluids (verify the compatibility of fluid with material in contact).

► **TECHNICAL FEATURES**

Maximum allowable pressure (PS) 50bar
 Opening time ~10ms
 Closing time ~10ms
 Fluid temperature 0°C +130°C
 Max viscosity 5°E (~37 cStokes or mm²/s)

► **MATERIALS IN CONTACT WITH FLUID**

Body Brass
 Sealing FPM
 Internal components Stainless steel
 Seat Brass
 Core tube Stainless steel
 Shading coil Copper

► **COIL**

Approval
 Encapsulation material
 Insulation class
 Ambient temperature
 Continuous duty
 Electric connection
 Protection degree
 Voltages DC
 AC

ZB10A	ZB12A	ZB14A
/	UL and CSA	UL and CSA
PA fiberglass reinforced	PET fiberglass reinforced	PET fiberglass reinforced
F (155°C) -10°C +60°C	F (155°C) -10°C +60°C	H (180°C) -10°C +75°C
ED 100%		
DIN 46340 - 3 poles plug connector		
IP 65 (EN 60529) with plug connector	IP 67 (EN 60529) with plug connector	IP 67 (EN 60529) with plug connector
12-24V (+10% -5%)		
24V/50-60Hz - 115V/50Hz - 230V/50-60Hz (+10% -15%)		
(Other voltages and frequencies on request).		

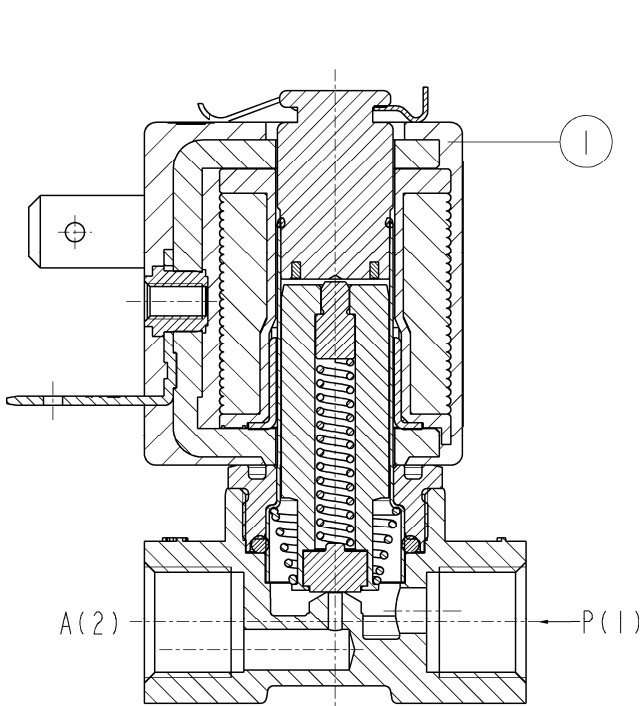
Port size ISO 228	Orifice size (mm)	Differential pressure (bar)				Kv (m ³ /h)	Series and type		Power absorption				Sealings	Notes	Weight (kg)
		Δp max					Valve	Coil	AC (VA)			DC			
		Gases		Liquids					Inrush	Holding					
Δp min	AC	DC	AC	DC	VA	VA	W	W							
G1/8	1,2	0	28	20	28	20	L172V03	ZB10A ZB12A	12	6	4	5,5	FPM	1	0,160
	1,6		20	12	20	12									
	2		15	6	15	6									
	2,4		12	4	12	4									

► **NOTES**

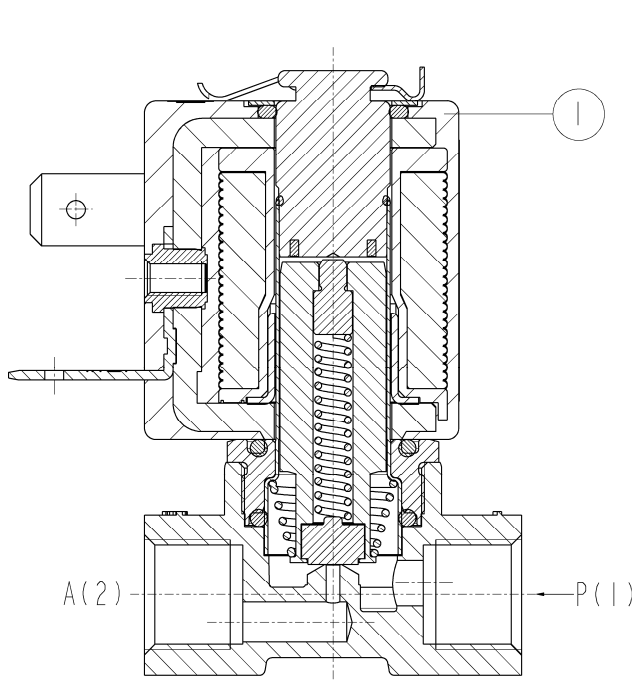
- Sealings: FPM = Fluoro-carbon elastomer
 - On request: - version with manual override: L172V01
 - sealings in EPDM (Ethylene-propylene elastomer): L172D03
 - body valve in stainless steel AISI 316: L172V07
 - body valve with special surface treatments
 - coil in class H (ZB14A – see § “COIL”)
 - grease/oil free versions
 - customized version: L172V24
- 1 – ZB12 and ZB14 coils fitted with sealing gaskets underneath and on the upper part (see sectional view on the back)

► SPARE PARTS

WITH ZB10A COIL



WITH ZB12A – ZB14A



Kit description

Coil

Kit P.N.

ZB10A
ZB12A
ZB14A

Consisting of:

Coil pos.1

► INSTALLATION

- Solenoid valve can be mounted in any position; vertical with coil upwards preferred.

THE VALIDITY OF REPORTED DATA IS REFERRED TO THE DATE OF ISSUE. POSSIBLE UPDATES ARE AVAILABLE ON REQUEST