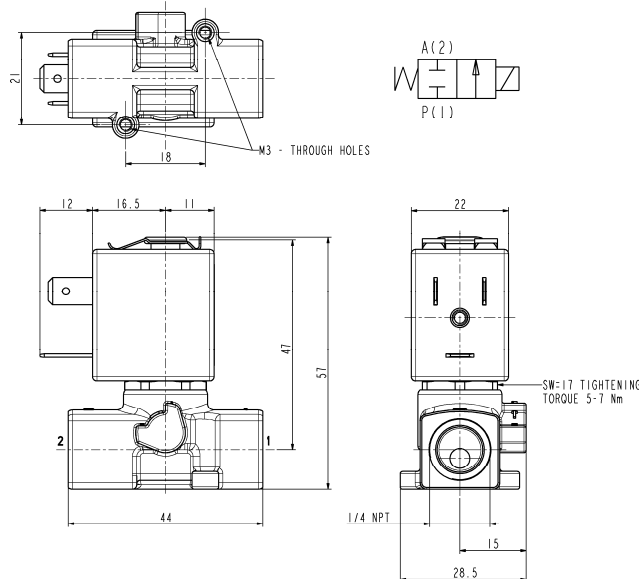




**SOLENOID VALVE**  
**2/2- NC (Normally closed)**  
**Direct acting**  
**1/4 NPT**

**L176-NPT**



► **GENERAL FEATURES**

Direct acting solenoid valve.  
 Suitable to shut off liquid and gaseous fluids (verify the compatibility of fluid with material in contact).

► **TECHNICAL FEATURES**

*Maximum allowable pressure (PS)* 50bar  
*Opening time* ~10ms  
*Closing time* ~10ms  
*Fluid temperature* -10°C +140°C  
*Max viscosity* 5°E (~37 cStokes or mm<sup>2</sup>/s)

► **MATERIALS IN CONTACT WITH FLUID**

*Body* Stainless steel AISI 316  
*Sealing* EPDM  
*Internal components* Stainless steel  
*Seat* Stainless steel AISI 316  
*Core tube* Stainless steel  
*Shading coil* Pure silver

► **COIL**

*According to standards*

*Encapsulation material*

*Insulation class*

*Ambient temperature*

*Continuous duty*

*Electric connection*

*Protection degree*

*Voltages* DC

AC

ZB12A | ZB14A

UL and CSA

PET  
 (polyethylene-terephthalate)  
 fiberglass reinforced

F (155°C) | H (180°C)

-10°C +60°C | -10°C +75°C

ED 100%

DIN 46340 - 3 poles plug connector

IP 67 (EN 60529) with plug connector

12-24V (+10% -5%)

24V/50-60Hz - 115V/50Hz - 230V/50-60Hz  
 (+10% -15%)

(Other voltages and frequencies on request).

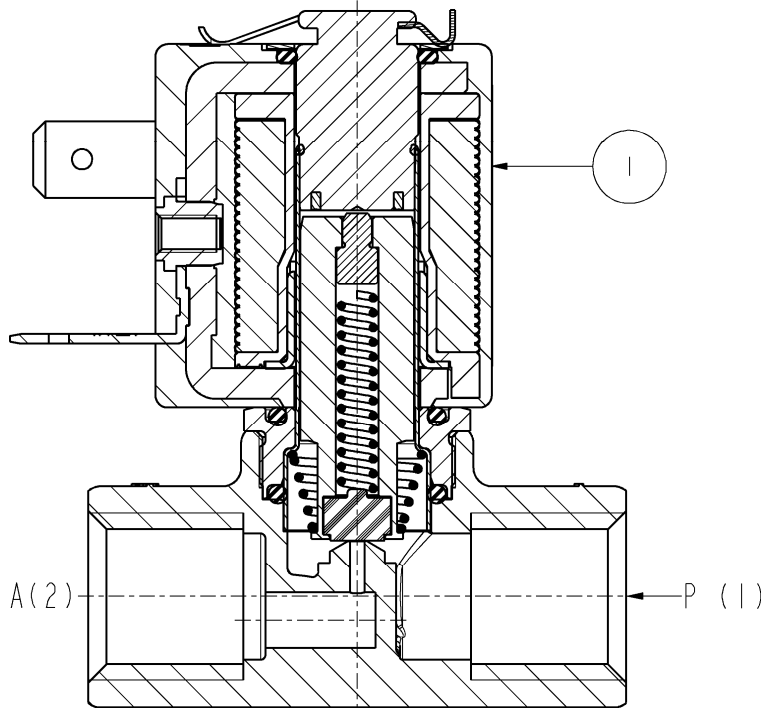
Port size NPT	Orifice size (mm)	Differential pressure (bar)				Kv (m <sup>3</sup> /h)	Series and type		Power absorption				Sealings	Notes	Weight (kg)	
		Δp min	Δp max				Valve	Coil	AC (VA)			DC				
			Gases		Liquids				Inrush	Holding						
			AC	DC	AC					DC	VA					VA
1/4	2,4	0	12	4	12	4	L176P08	ZB12A ZB14A	12	6	4	5,5	EPDM	1		
	2,7		7	1,5	7	1,5										

► **NOTES**

- Sealings: EPDM = ethylene-propylene elastomer (NSF-WRASKTW-ACS approved)  
 - ZB12 and ZB14 coils fitted with sealing gaskets underneath and on the upper part (see sectional view on the back)

# L176-NPT

## ► SPARE PARTS



### Kit description

Coil

### Kit P.N.

ZB12A  
ZB14A

### Consisting of:

Coil pos.1

## ► INSTALLATION

- Solenoid valve can be mounted in any position; vertical with coil upwards preferred.

THE VALIDITY OF REPORTED DATA IS REFERRED TO THE DATE OF ISSUE. POSSIBLE UPDATES ARE AVAILABLE ON REQUEST