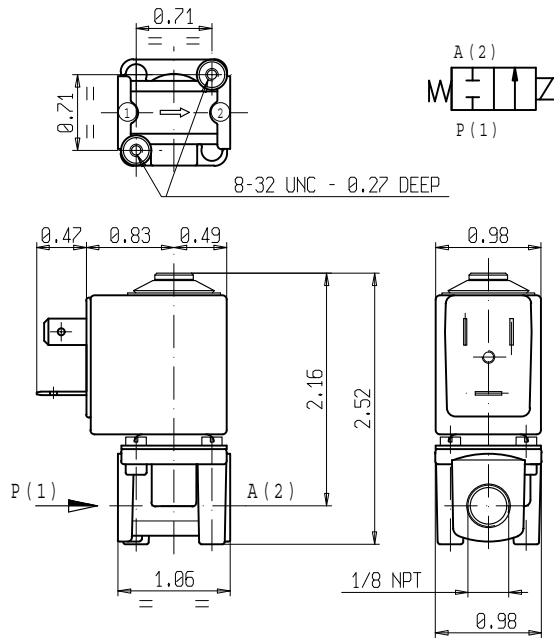




**SOLENOID VALVE**  
**2/2 - NC (Normally closed)**  
**Direct acting**  
**1/8 NPT**

**L177B06-NPT**



NPT		a	b	c	d	e	f	m	n	p
1/8	in	1.06	2.16	2.52	0.71	0.98	0.98	0.83	0.49	0.47
	mm	27	55	64	18	25	25	21	12,5	12

► **GENERAL FEATURES**

Direct acting solenoid valve.  
 Suitable to shut off liquid and gaseous fluids (verify the compatibility of fluid with materials in contact).

► **TECHNICAL FEATURES**

Maximum allowable pressure (PS) 435 psi  
 Opening time ~10 ÷ ~20ms  
 Closing time ~10 ÷ ~20ms  
 Fluid temperature +14°F +194°F  
 Max viscosity ~3.98 x 10<sup>-4</sup>ft<sup>2</sup>/sec (~37 cStokes or mm<sup>2</sup>/s, 5°E)

► **MATERIALS IN CONTACT WITH FLUID**

Body Brass with chemical nickel coating (Ni-P)  
 Sealing NBR  
 Internal components Stainless steel  
 Seat Brass  
 Guide assembly Stainless steel  
 Shading ring Copper

► **COIL**

Continuous duty ED 100%  
 Encapsulation material PET (polyethylene terephthalate) fiberglass reinforced  
 Coil insulation class F (311°F) on request class H (356°F) - UL  
 Ambient temperature +14°F +140°F  
 Electric connections DIN 46340 - 3 poles connectors  
 Protection degree IP 65 (EN 60529) with plug connector  
 Voltages DC 12-24V (+10% -5%)  
 AC 24V-110V(120V/60Hz)-230V/50-60Hz(+10% -15%)  
 (Other voltages and frequencies on request).

Pipe size NPT (ins)	Orifice size (ins)	Differential pressure (PSI)						Cv (GPM)	Series and type		Power absorption			Sealings	Notes	Weight (lbs)
		Δp min	Δp max				Valve		Coil	AC (VA)		DC (W)				
			Gases		Liquids					Inrush	Holding					
			AC	DC	AC	DC										
1/8	1/8	0	100	20	90	20	0.29	L177B06	Z610A	16	10	6	NBR	1	0,370	

► **NOTES**

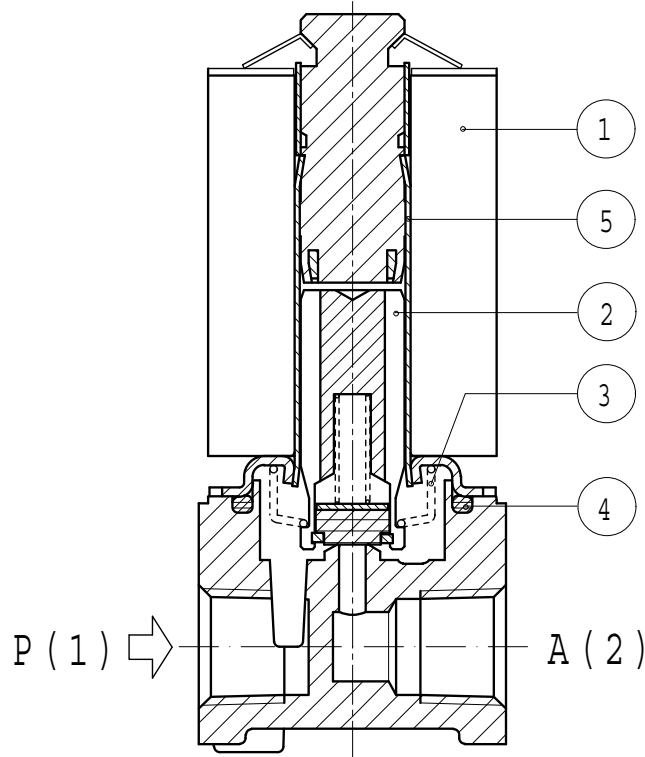
- Sealings : NBR = Nitrile-butylene elastomer  
 1 - Coil: SEV-ASE approval as per file 04.0833.

0411



# L177B06-NPT

## ► SPARE PARTS



### Kit description

Core kit

Kit P.N.

G2878601

Consisting of:

Core pos. 2  
OR guide assembly pos. 4

Core return spring kit

G2884401

N.10 core return spring pos. 3

Guide pipe assembly

2593201R

Guide pipe assembly pos. 5

Coil

Z610A

Coil pos. 1

## ► MOUNTING

Solenoid valve can be mounted in any position; vertical with coil upwards preferred.

THE VALIDITY OF REPORTED DATA IS REFERRED TO THE DATE OF ISSUE. POSSIBLE UPDATES ARE AVAILABLE ON REQUEST.