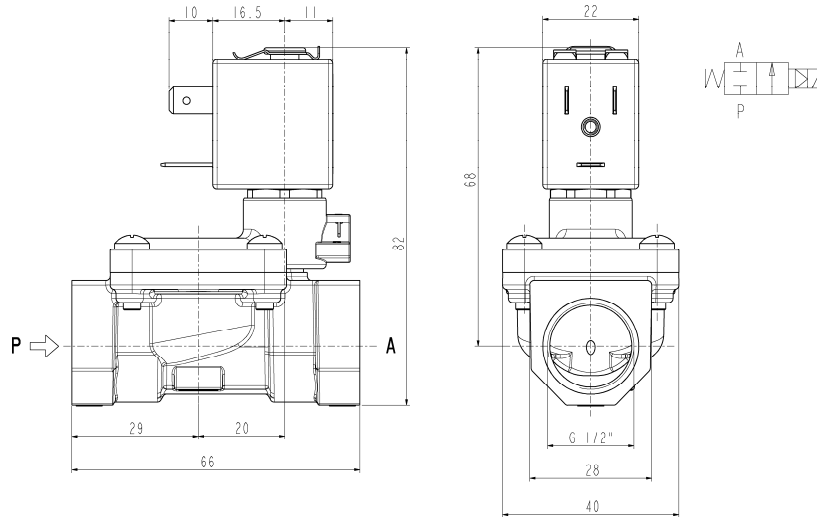




SOLENOID VALVE
2/2- NC (Normally closed)
Pilot operated
G 1/2

L182B13

ANTI WATER-HAMMER



► **GENERAL FEATURES**

Diaphragm valve, pilot operated.
 Suitable to shut off liquid and gaseous fluids (verify the compatibility of fluid with material in contact).
 Designed in compliance with anti-water hammer standards of EN 60730-2-8.

► **TECHNICAL FEATURES**

Maximum allowable pressure (PS) 20bar
Opening time ~300ms
Closing time ~1000ms
Fluid temperature -10°C +90°C
Max viscosity 5°E (~37 cStokes or mm²/s)

► **MATERIALS IN CONTACT WITH FLUID**

Body Brass
Sealing NBR
Internal components Brass and stainless steel
Seat Brass
Core tube Stainless steel
Shading coil Copper

► **COIL**

Approval
Encapsulation material

Insulation class
Ambient temperature
Continuous duty
Electric connection

Protection degree

Voltages DC
 AC

ZB10A	ZB12A	ZB14A
/	UL and CSA	UL and CSA
PA fiberglass reinforced	PET fiberglass reinforced	PET fiberglass reinforced
F (155°C) -10°C +60°C	F (155°C) -10°C +60°C	H (180°C) -10°C +75°C
ED 100%		
DIN 46340 - 3 poles plug connector		
IP 65 (EN 60529) with plug connector	IP 67 (EN 60529) with plug connector	IP 67 (EN 60529) with plug connector
12-24V (+10% -5%) 24V/50-60Hz - 115V/50Hz - 230V/50-60Hz (+10% -15%) (Other voltages and frequencies on request).		

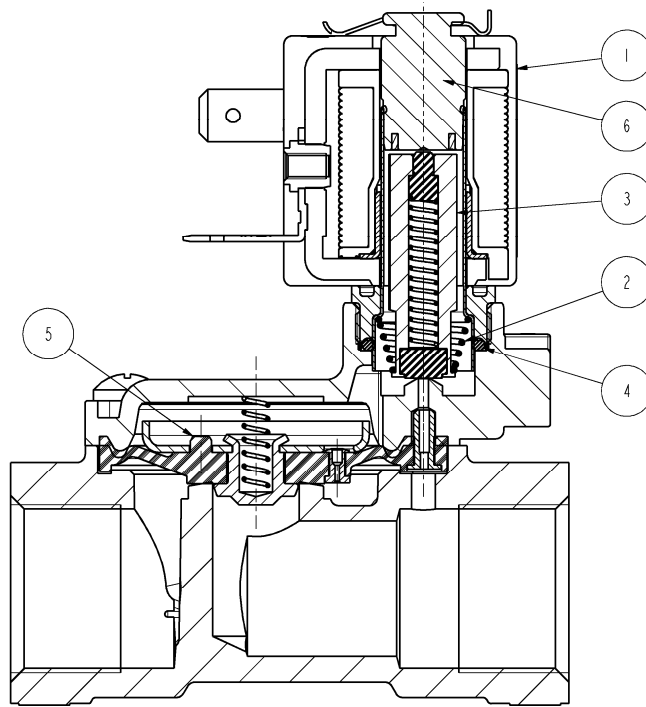
Port size ISO 228	Orifice size (mm)	Differential pressure (bar)				Kv (m ³ /h)	Series and type		Power absorption				Sealings	Notes	Weight (kg)	
		Δp min	Δp max				Valve	Coil	AC (VA)			DC				
			Gases		Liquids				Inrush	Holding						
			AC	DC	AC					DC	VA					VA
G 1/2	10,2	0,35	12	12	12	12	1,8	L182B13	ZB10A ZB12A	12	6	4	5,5	NBR	-	0,370

► **NOTES**

- Sealings: NBR=Nitrile-butylene elastomer
- Operation with gaseous media, at high pressure without any outlet restriction, can reduce the diaphragm life.
- On request coil in class H (ZB14A – see § "COIL")

L182B13

► SPARE PARTS



Kit description	Kit P.N.	Consisting of:
Core kit	G3138201	Core kit pos.2 Core return spring pos. 3 O-Ring guide assembly pos. 4
Diaphragm assembly	2782701R	Diaphragm assembly pos.5
Coil	ZB10 ZB12 ZB14	Coil pos.1

► INSTALLATION

- Solenoid valve can be mounted in any position; vertical with coil upwards preferred.

THE VALIDITY OF REPORTED DATA IS REFERRED TO THE DATE OF ISSUE. POSSIBLE UPDATES ARE AVAILABLE ON REQUEST