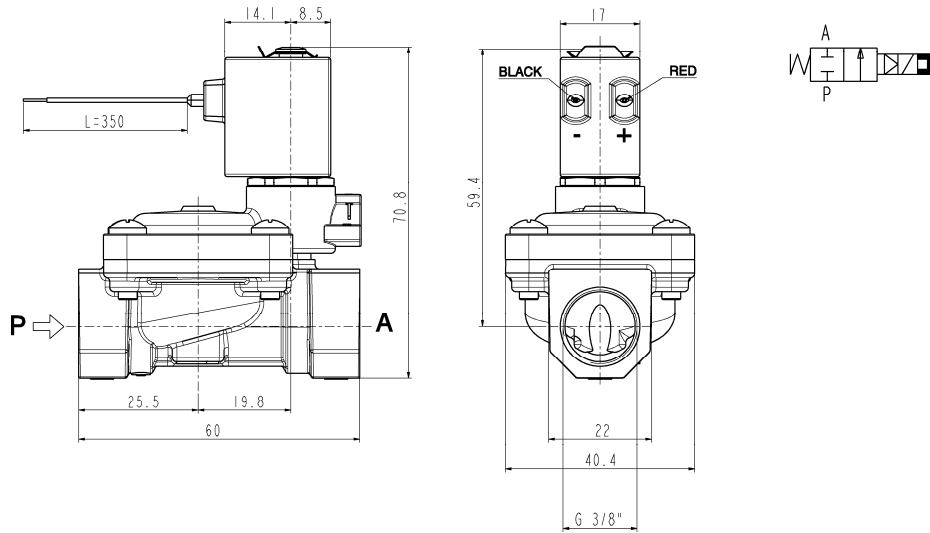




SOLENOID VALVE
2/2 - NC (Normally closed)
Pilot operated
G 3/8

L182B74
LATCHING MODEL



► **GENERAL FEATURES**

Diaphragm valve, pilot operated, having full orifice.
Suitable to shut off liquid and gaseous fluids (verify the compatibility of fluid with materials in contact).

► **TECHNICAL FEATURES**

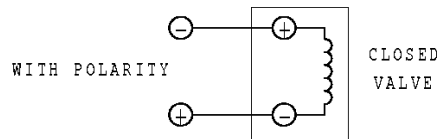
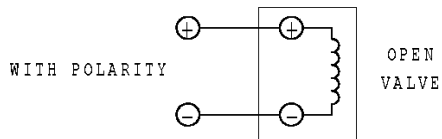
Maximum allowable pressure (PS) 16 bar
Opening time ~300 ms
Closing time ~1000ms
Fluid temperature -10°C +90°C
Max viscosity 5°E (~37 cStokes or mm²/s)

► **MATERIALS IN CONTACT WITH FLUID**

Body Brass
Sealing NBR
Internal components Brass and stainless steel
Seat Brass
Guide assembly Stainless steel

► **COIL**

Duty Latching model, polarized type, operating with impulses
Minimum energizing time 20ms
Encapsulation material PP-V0 (self-extinguishing-polypropylene)
Coil insulation class A (105°C)
Ambient temperature -10°C +60°C
Electric connections N° 2 wires AWG 24 length 350 mm.
Protection degree IP 66 (EN 60529)
Voltages DC 6-12V (+10% -10%)
(Other voltages on request)



Port size ISO 228	Orifice size (mm)	Differential pressure (bar)				Kv (m ³ /h)	Series and type		Power absorption			Sealings	Notes	Weight (kg)	
		Δp min	Δp max		Valve		Coil	AC (VA)		DC (W)					
			Gases					Liquids			Inrush				Holding
			AC	DC				AC	DC						
G 3/8	13,5	0,35	-	8	-	8	2,5	L182B74	Z075M	-	-	1,2	NBR	-	0,300

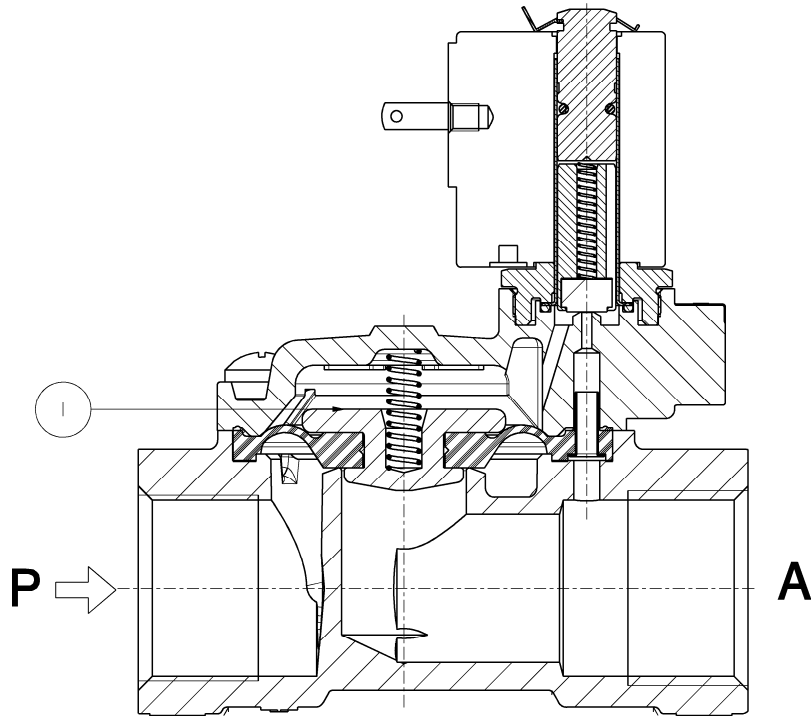
► **NOTES**

- Sealings : NBR = Nitrile-butylene elastomer
- Operation with gaseous media, at high pressure without any outlet restriction, can reduce the diaphragm life.



L182B74

► SPARE PARTS



Kit description

Diaphragm assembly

Kit P.N.

2844302R

Consisting of:

Diaphragm assembly pos. 1

► MOUNTING

- Solenoid valve can be mounted in any position; vertical with coil upwards preferred.

THE VALIDITY OF REPORTED DATA IS REFERRED TO THE DATE OF ISSUE. POSSIBLE UPDATES ARE AVAILABLE ON REQUEST.