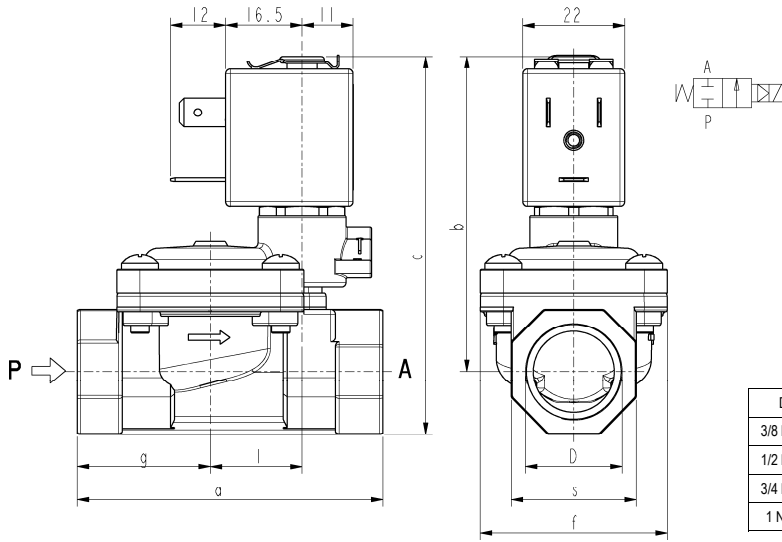




**SOLENOID VALVE**  
**2/2- NC (Normally closed)**  
**Pilot operated**  
**3/8 NPT ÷ 1 NPT**

**L182-NPT**  
**STAINLESS STEEL**



D	a	b	c	f	g	l	s
3/8 NPT	60	66	77	40	25,5	20	22
1/2 NPT	66	68	82	40	29	20	27
3/4 NPT	79	72,5	89	50	35,5	24,5	33
1 NPT	105	85	106	71	46	28	42

► **GENERAL FEATURES**

Diaphragm valve, pilot operated, having full orifice.  
 Suitable to shut off liquid and gaseous fluids (verify the compatibility of fluid with material in contact).

► **TECHNICAL FEATURES**

Maximum allowable pressure (PS) 20bar

**Response times**

Opening time (ms) 70

Closing time (ms) 670

Fluid temperature

Max viscosity

3/8	1/2	3/4	1
70	70	70	90
670	600	500	420

-10°C +90°C (NBR)  
 0°C +130°C (FPM)  
 -10°C +140°C (EPDM)  
 5°E (~37 cStokes or mm<sup>2</sup>/s)

► **MATERIALS IN CONTACT WITH FLUID**

Body: Stainless steel AISI 316L  
 Sealing: NBR or FPM or EPDM  
 Internal components: Stainless steel  
 Seat: Stainless steel AISI 316L  
 Core tube: Stainless steel  
 Shading coil: Copper

► **COIL**

Approval  
 Encapsulation material  
 Insulation class  
 Ambient temperature  
 Continuous duty  
 Electric connection  
 Protection degree  
 Voltages DC  
 AC

On request

Approval  
 Voltages AC

ZB12A	ZB14A
UL and CSA	
PET fiberglass reinforced	
F (155°C)	H (180°C)
-10°C +60°C	-10°C +75°C
ED 100%	
DIN 46340 - 3 poles plug connector	
IP 67 (EN 60529) with plug connector	
12-24V (+10% -5%)	
24V/50-60Hz - 115V/50Hz - 230V/50-60Hz	
(Other voltages and frequencies on request)	
ZB12Y	ZB14Y
UL	
220-230V/50Hz 208-240V/60Hz (+10% -15%)	

Port size NPT	Orifice size (mm)	Differential pressure (bar)				Kv (m <sup>3</sup> /h)	Series and type			Power absorption				Sealings	Notes	Weight (kg)		
		Δp min	Δp max				Valve	Valve with manual override	Coil	AC (VA)			DC					
			Gases		Liquids					Inrush	Holding	DC						
			AC	D	AC												DC	VA
3/8	13,5	0,35	16	16	16	16	L182(*)11	L182(*)12	ZB12A	12	6	4	5,5	(*) = B (NBR)	1-3	0,30		
1/2			(12)	(12)	(12)	(12)											3,8	
3/4	18		12	12	12	12											5	0,50
1	24		(10)	(10)	(10)	(10)											12	1,09

► **NOTES**

- Sealings: B(NBR) = Nitrile-butylene elastomer V(FPM) = Fluoro-carbon elastomer D(EPDM)=Ethylene-propylene elastomer (WRAS/KTW certified compound)
- Operation with gaseous media, at high pressure without any outlet restriction, can reduce the diaphragm life.
- On request coil in class H (ZB14A - see § "COIL")
- The bracketed values of Δp max are related to valves with FPM seals.
- 1 - Low power consumption coil on request ZB12C or ZB14C (3,5 VA in AC - 3W in DC): Δp max = 12 bar
- 2 - Low power consumption coil on request ZB12C or ZB14C (3,5 VA in AC - 3W in DC): Δp max = 8 bar
- 3 - L182D11 - L182D12: **WRAS** certified solenoid valves (certificate n. 1411048).

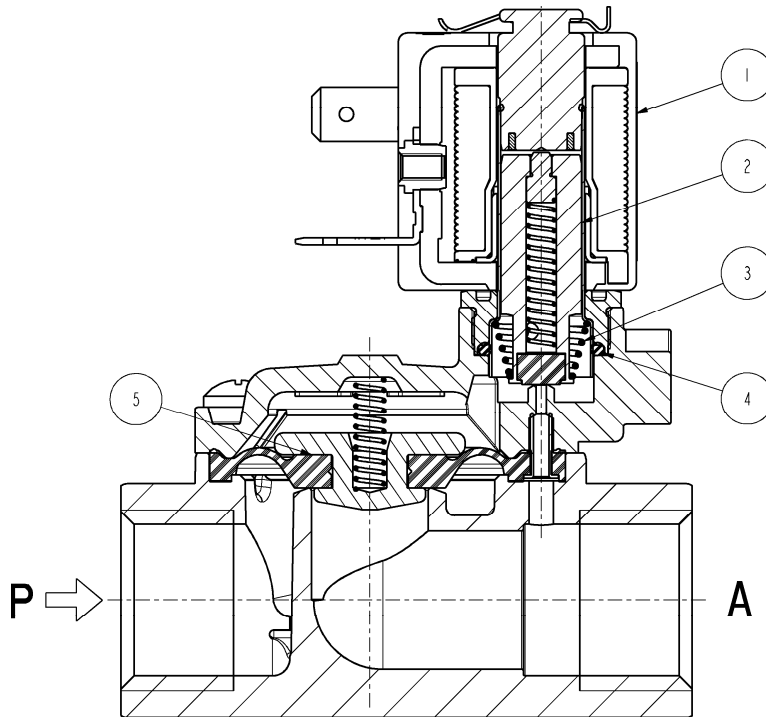


# L182-NPT

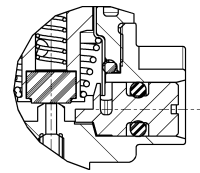
STAINLESS STEEL

## ► SPARE PARTS

### L182B-V-D-11



### L182B-V-D-12



#### Kit description

#### Kit P.N.

#### Consisting of:

Core kit

L182B-V  
L182D

G3138201  
G3138202

Core kit pos.2  
Core return spring pos. 3  
O-Ring guide assembly pos. 4

Diaphragm assembly

L182B	3/8-1/2	2844305R
	3/4	298594-003R
	1	298592-003R
L182V	3/8-1/2	2844309R
	3/4	298594-001R
	1	298592-001R
L182D	3/8-1/2	2844308R
	3/4	298594-002R
	1	298592-002R

Diaphragm assembly pos.5

Coil

ZB12  
ZB14

Coil pos.1

## ► INSTALLATION

- Solenoid valve can be mounted in any position; vertical with coil upwards preferred.

THE VALIDITY OF REPORTED DATA IS REFERRED TO THE DATE OF ISSUE. POSSIBLE UPDATES ARE AVAILABLE ON REQUEST.