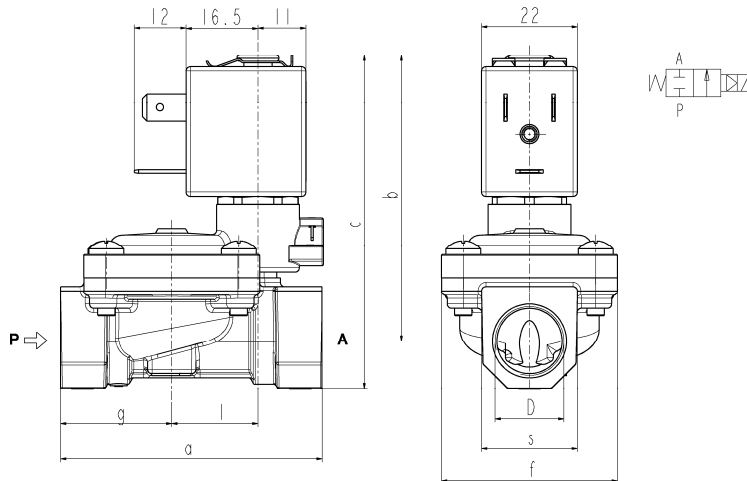




**SOLENOID VALVE**  
**2/2- NC (Normally closed)**  
**Pilot operated**  
**G 3/8 ÷ G 1**

**L182**



D	a	b	c	f	g	l	s
G 3/8	60	66	77	40	25,5	20	22
G 1/2	66	68	82	40	29	20	27
G 3/4	79	72,5	89	50	35,5	24,5	33
G 1	105	85	106	71	46	28	42

**► GENERAL FEATURES**

Diaphragm valve, pilot operated, having full orifice.  
 Suitable to shut off liquid and gaseous fluids (verify the compatibility of fluid with material in contact).

**► TECHNICAL FEATURES**

Maximum allowable pressure (PS)	20bar			
Response times	3/8	1/2	3/4	1
Opening time (ms)	70	70	70	90
Closing time (ms)	670	600	500	420
Fluid temperature	-10°C +90°C (NBR) 0°C +130°C (FPM) -10°C +140°C (EPDM)			
Max viscosity	5°E (~37 cStokes or mm <sup>2</sup> /s)			

**► MATERIALS IN CONTACT WITH FLUID**

Body	Brass
Sealing	NBR or FPM or EPDM
Internal components	Brass and stainless steel
Seat	Brass
Core tube	Stainless steel
Shading coil	Copper

**► COIL**

Approval  
 Encapsulation material  
 Insulation class  
 Ambient temperature  
 Continuous duty  
 Electric connection  
 Protection degree  
 Voltages DC  
 AC

**\* On request**

Approval  
 Voltages AC

ZB10A	ZB12A *	ZB14A *
/	UL and CSA	UL and CSA
PA fiberglass reinforced	PET fiberglass reinforced	PET fiberglass reinforced
F (155°C) -10°C +60°C	F (155°C) -10°C +60°C	H (180°C) -10°C +75°C
ED 100%		
DIN 46340 - 3 poles plug connector		
IP 65 (EN 60529) with plug connector	IP 67 (EN 60529) with plug connector	IP 67 (EN 60529) with plug connector
12-24V (+10% -5%)		
24V/50-60Hz - 115V/50Hz - 230V/50-60Hz (+10% -15%)		
(Other voltages and frequencies on request).		
/	ZB12Y	ZB14Y
/	UL	UL
/	220-230V/50Hz 208-240V/60Hz (+10% -15%)	

Port size ISO 228	Orifice size (mm)	Differential pressure (bar)				Kv (m <sup>3</sup> /h)	Series and type			Power absorption				Sealings	Notes	Weight (kg)		
		Δp min	Δp max				Valve	Valve with manual override	Coil	AC (VA)			DC					
			Gases		Liquids					Inrush VA	Holding VA	W					W	
			AC	DC	AC													DC
3/8	13,5	0,35	16	16	16	16	L182(*)01	L182(*)02	ZB10A ZB12A	12	6	4	5,5	(*) = B (NBR) (*) = V (FPM) (*) = D (EPDM)	1-3	0,32		
1/2			12	12	12	12										3,8	0,38	
3/4	18		12	12	12	12										5	0,52	
1	24		12	12	12	12										12	1,08	

**► NOTES**

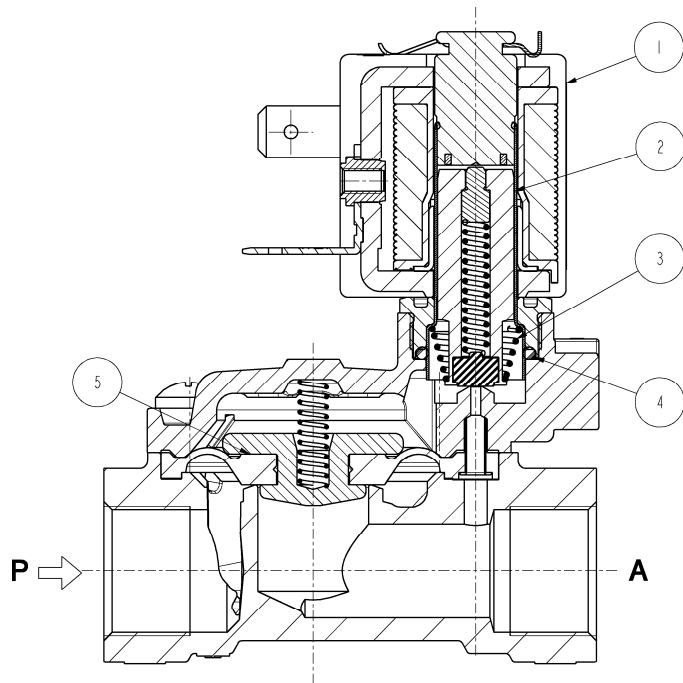
- Sealings: B(NBR)=Nitrile-butylene elastomer V(FPM)=Fluoro-carbon elastomer D(EPDM)=Ethylene-propylene elastomer (WRAS/KTW certified compound)
- Operation with gaseous media, at high pressure without any outlet restriction, can reduce the diaphragm life.
- On request coil in class H (ZB14A – see § “COIL”)
- The bracketed values of Δp max are related to valves with V(FPM) seals.
- 1 - Low power consumption coil on request (3,5 VA in AC – 3W in DC): Δp max = 12 bar
- 2 - Low power consumption coil on request (3,5 VA in AC – 3W in DC): Δp max = 8 bar
- 3 - L182D01 – L182D02: WRAS certified solenoid valves (certificate n. 1411048).



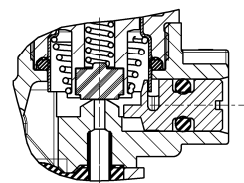
# L182

► SPARE PARTS

## L182 B-V-D01



## L182 B-V-D02



Kit description		Kit P.N.	Consisting of:
Core kit	L182B-V	G3138201	Core kit pos.2 Core return spring pos. 3 O-Ring guide assembly pos. 4
	L182D	G3138202	
Diaphragm assembly	L182B	3/8-1/2	Diaphragm assembly pos.5
	L182V	3/8-1/2	
	L182D	3/8-1/2	
	L182B	3/4	
		1	
	L182V	3/4	
		1	
	L182D	3/4	
		1	
Coil		ZB10	Coil pos.1
		ZB12	
		ZB14	

► INSTALLATION

- Solenoid valve can be mounted in any position; vertical with coil upwards preferred.

THE VALIDITY OF REPORTED DATA IS REFERRED TO THE DATE OF ISSUE. POSSIBLE UPDATES ARE AVAILABLE ON REQUEST