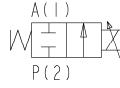
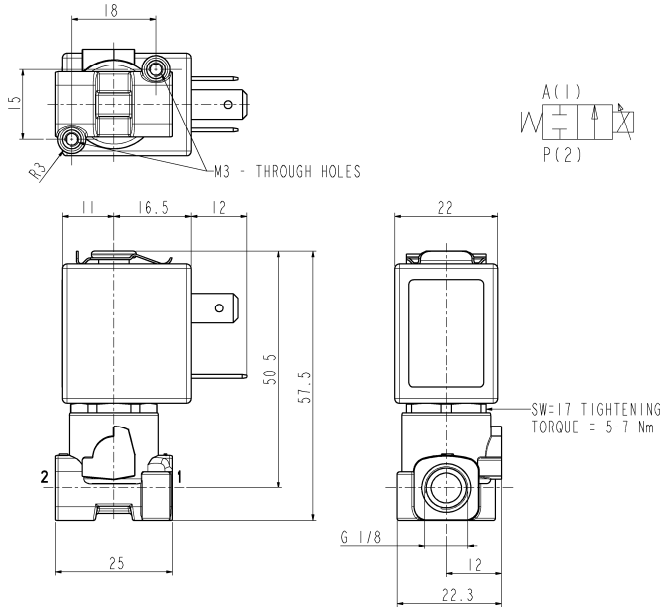




**SOLENOID VALVE**  
**2 ways - NC (Normally closed)**  
**Direct acting**  
**G 1/8**

**L194**  
**PROPORTIONAL**  
**FLOW CONTROL**



► **GENERAL FEATURES**

The flow rate is proportional to the input electric signal.  
 Suitable to shut off gaseous fluids (verify the compatibility of fluid with material in contact).  
 Overleaf we show one chart of flow rate/electric signal at 6 bar inlet pressure.

► **TECHNICAL FEATURES**

Maximum allowable pressure (PS) 50 bar  
 Fluid temperature  $\begin{cases} -10^{\circ}\text{C} + 140^{\circ}\text{C} \text{ (EPDM)} \\ 0^{\circ}\text{C} + 130^{\circ}\text{C} \text{ (FPM)} \end{cases}$

► **MATERIALS IN CONTACT WITH FLUID**

Body Brass  
 Sealing EPDM - FPM  
 Internal components Stainless steel  
 Seat Brass  
 Guide assembly Stainless Steel

► **COIL**

Approval  
 Encapsulation material  
 Coil insulation class  
 Ambient temperature  
 Continuous duty  
 Electric connection

Protection degree

Voltages DC

	ZB10A	ZB12A
Approval	/	UL and CSA
Encapsulation material	PA fiberglass reinforced	PET fiberglass reinforced
Coil insulation class	F (155°C)	
Ambient temperature	-10°C + 60°C	
Continuous duty	ED 100% (see note "A" overleaf)	
Electric connection	DIN 46340 - 3 poles plug connector	
Protection degree	IP 65 (EN 60529) with plug connector	IP 67 (EN 60529) with plug connector
Voltages DC	12-24V (+10%)	

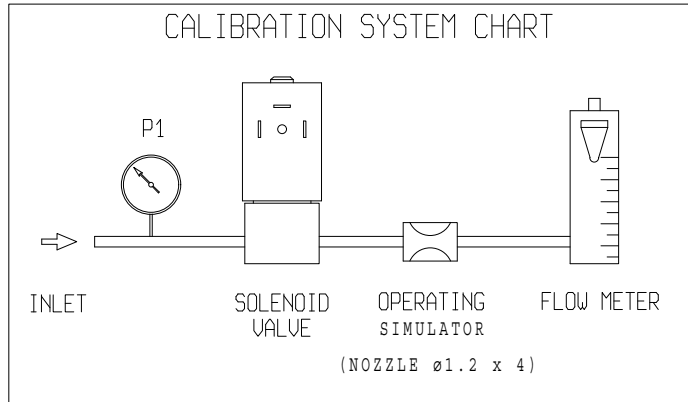
Port size ISO 228	Orifice size (mm)	Inlet differential pressure (bar)		Series and type		Power absorption			Sealings	Notes	Weight (kg)
				Valve	Coil	AC (VA)		DC (W)			
		Min	Max			Inrush	Holding				
G 1/8	1,6	0	6	L194D01	ZB10A ZB12A	-	-	5,5	EPDM	-	0,160
				L194V01		FPM					

► **NOTES**

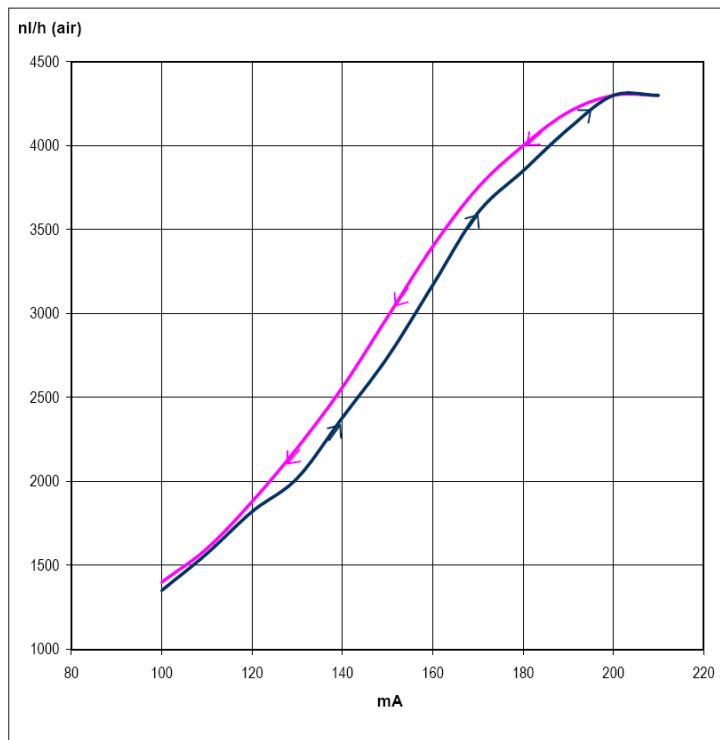
- Sealings: EPDM = Ethylene-propylene elastomer. FPM = Fluoro-carbon elastomer
- Contact us for different pressure ratings and different proportionality features (flow rate/electric signal)
- ZB12A coils fitted with sealing gasket underneath and on the upper part.

0911/1501





REFERENCE CURVE WITH INLET PRESSURE P1 = 6bar (dehumidified and non-lubricated air and valve in vertical position)  
Reference coil 24V DC  
(See note "A")



► MOUNTING

- Solenoid valve can be mounted in any position; vertical with coil upwards preferred.

► NOTE "A"

It is necessary to keep the current circulating in the coil constant, so as to maintain the solenoid valve in any pre-determined position. In case the solenoid valve is energised by voltage variation, it has to be considered that the resistance of winding increases because of the continued energizing and consequently the power decreases. Therefore, it is necessary to compensate such power decrease by increasing the voltage to re-establish the initial current value.

THE VALIDITY OF REPORTED DATA IS REFERRED TO THE DATE OF ISSUE. POSSIBLE UPDATES ARE AVAILABLE ON REQUEST.