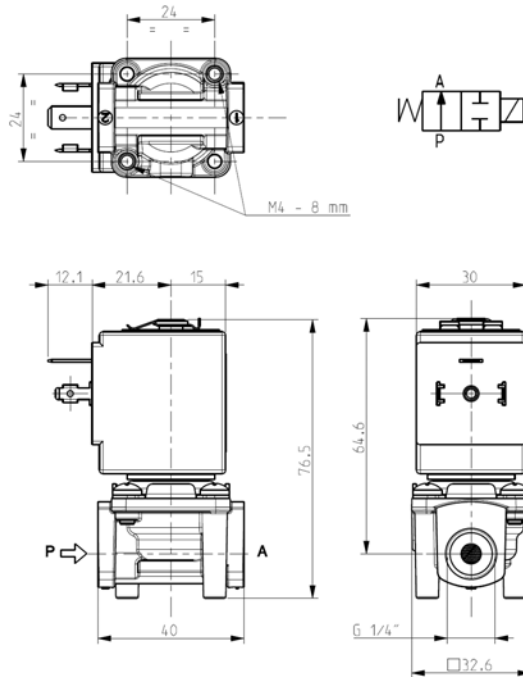




SOLENOID VALVE
2/2 - NO (Normally open)
Direct acting
G 1/4

L208



► **GENERAL FEATURES**

Direct acting solenoid valve, suitable to shut off liquid and gaseous fluids (verify the compatibility of fluid with materials in contact).

► **TECHNICAL FEATURES**

Maximum allowable pressure (PS) 20 bar
 Opening time ~30ms
 Closing time ~30ms
 Fluid temperature 0°C +100°C
 Max viscosity 5°E (~37 cStokes or mm²/s)

► **MATERIALS IN CONTACT WITH FLUID**

Body Brass
 Sealing FPM
 Internal components Stainless steel
 Seat PSU (Polysulphone)
 Core tube Stainless steel
 Shading coil Copper

► **COIL**

Approval UL (class F) – for UL cl.H: ZA34
 ED 100%
 Encapsulation material PPS (Polyphenilsulfure) fiberglass reinforced
 Insulation class F (155°C) on request class H (180°C)
 Ambient temperature -10°C +50°C
 Electric connections DIN 46340 - 3 poles connectors (EN175301-803)
 Protection degree IP 67 (EN 60529) with plug connector
 Voltages DC 12-24V (+10% -5%)
 AC 24V/50Hz - 110V/50Hz (120V/60Hz) - 230V/50Hz (+10% -15%)
 (Other voltages and frequencies on request)

Port size ISO 228	Orifice size (mm)	Differential pressure (bar)				Kv (m ³ /h)	Series and type		Power absorption			Sealings	Notes	Weight (kg)	
		Δp min	Δp max				Valve	Coil	AC (VA)		DC (W)				
			Gases		Liquids				Inrush	Holding					
			AC	DC	AC										DC
G 1/4	3	0	10	10	8	8	0,19	L208V03	ZA10A	23	14	9	FPM	-	0,320

► **NOTES**

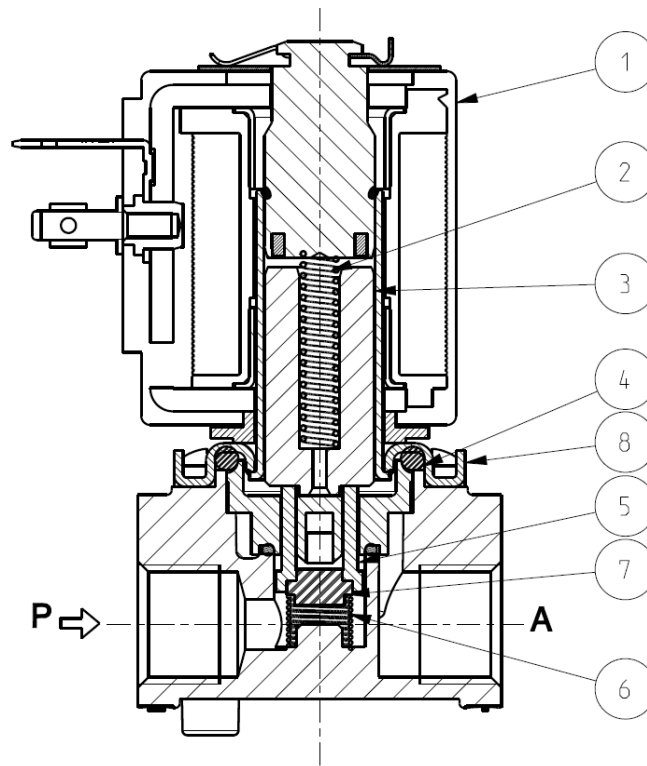
- Sealings : FPM = Fluoro-carbon elastomer
- IMQ CSV approval, see ZA10 datasheet for further details
- UL approved coil (E153691)

1503/1605



L208

► SPARE PARTS



Kit description	Kit P.N.	Consisting of:
Core kit	G3104601	Core return spring pos. 2 Core pos. 3 OR guide assembly pos.4 Pusher pos. 5 Sealing return spring pos. 6 Sealing disc pos. 7
Core return spring kit	G2714401	N°.10 Core return spring pos. 2
OR guide assembly kit	GU2442000053	N°. 10 OR guide assembly pos.4
Guide assembly kit	G31498	Guide assembly pos.8 Coil clip
Coil	ZA10A	Coil pos.1

► INSTALLATION

Solenoid valve can be mounted in any position; vertical with coil upwards preferred.

THE VALIDITY OF REPORTED DATA IS REFERRED TO THE DATE OF ISSUE. POSSIBLE UPDATES ARE AVAILABLE ON REQUEST.