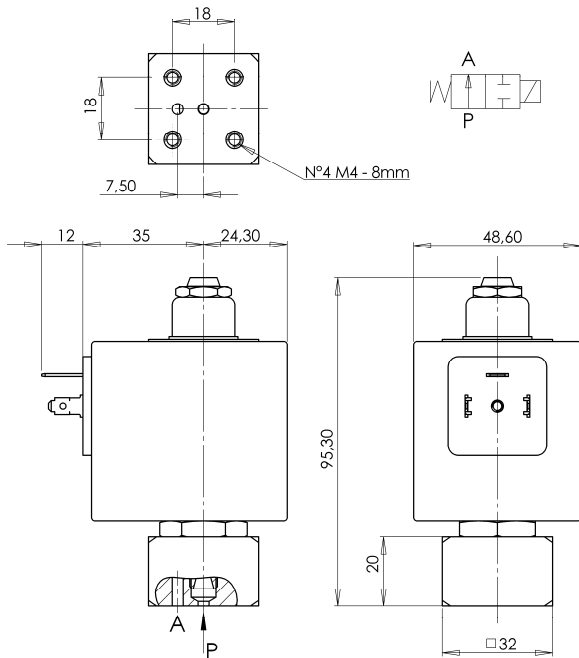




SOLENOID VALVE
2/2 - NO (Normally open)
Direct acting
Sub-base mounting

L248



► **GENERAL FEATURES**

Direct acting solenoid valve, designed for sub-base mounting or directly on the equipment.
 Inlet and outlet ports placed asymmetrically at the bottom of the body.
 Suitable to shut off liquid and gaseous fluids; (verify the compatibility of fluid with materials in contact).

► **TECHNICAL FEATURES**

Maximum allowable pressure (PS) 40 bar
 Opening time ~ 30ms
 Closing time ~ 30ms
 Fluid temperature -10°C +170°C
 Max viscosity 5°E (~37 cStokes or mm²/s)

► **MATERIALS IN CONTACT WITH FLUID**

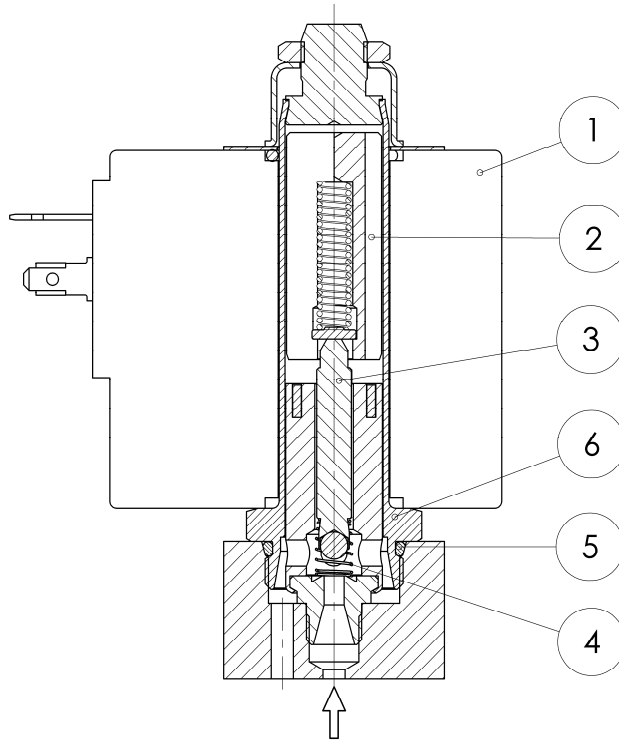
Body Brass
 Sealing Stainless steel
 Internal components Stainless steel
 Seat Stainless steel
 Guide assembly Stainless steel
 Shading ring Copper

► **COIL**

Continuous duty ED 100%
 Encapsulation material PPS (Polyphenilsulfure) fiberglass reinforced
 Coil insulation class H (165°C)
 Ambient temperature -10°C +80°C
 Electric connections DIN 46340 - 3 poles connectors (EN175301-803)
 Protection degree IP 65 (EN 60529) with plug connector
 Voltages AC 24V/50Hz - 110V/50Hz (120V/60Hz) - 230V/50Hz (+10% -15%)
 (Other voltages and frequencies on request).

Port size	Orifice size (mm)	Differential pressure (bar)				Kv (m ³ /h)	Series and type		Power absorption			Sealings	Notes	Weight (kg)	
		Δp min	Δp max				Valve	Coil	AC (VA)		DC (W)				
			Gases		Liquids				Inrush	Holding					
			AC	DC	AC										DC
-	3	0	-	-	30	-	0,25	L248M03	Z923A	50	27	-	Stainless steel	-	0,790

► SPARE PARTS



Kit description	Kit P.N.	Consisting of:
Core kit	G3085801	Core pos. 2 Sealing group pos.3 Sealing return spring pos. 4 OR guide assembly pos. 5
Sealing return spring kit	G2029901	N°. 10 Sealing return spring pos.4
OR guide assembly kit	GU2424000017	N. 10 OR guide assembly pos. 5
Guide pipe assembly	3085601R	Guide pipe assembly pos. 6
Coil	Z923A	Coil pos. 1

► MOUNTING

Solenoid valve can be mounted in any position; vertical with coil upwards preferred.

THE VALIDITY OF REPORTED DATA IS REFERRED TO THE DATE OF ISSUE. POSSIBLE UPDATES ARE AVAILABLE ON REQUEST.