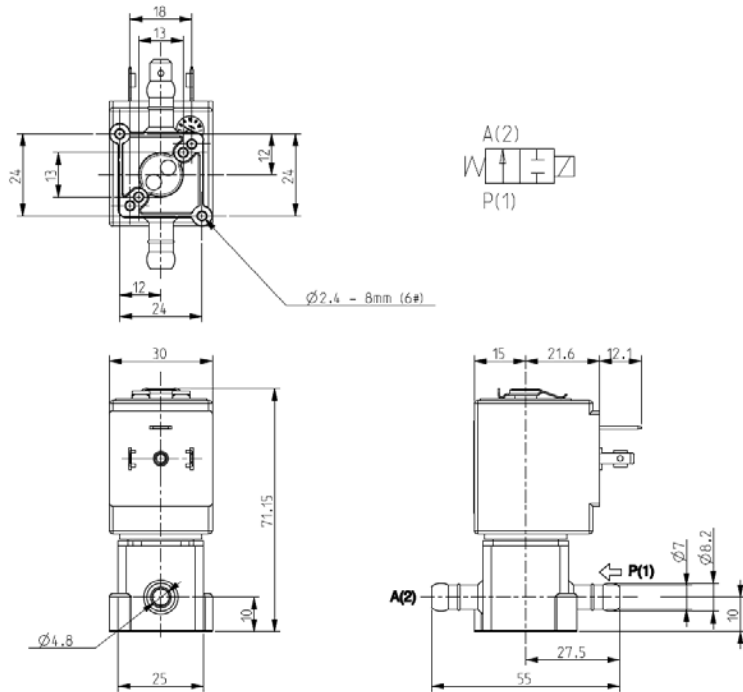




**SOLENOID VALVE**  
**2/2 - NO (Normally open)**  
 Direct acting  
 Barbed ports

**L257V06**



► **GENERAL FEATURES**

Direct acting solenoid valve, suitable for vacuum at port "P"  
 (PA – PP = max 1 bar).  
 Suitable to shut off liquid and gaseous fluids; suitable for low pressure steam and applications in sterilising autoclaves (verify the compatibility of fluid with materials in contact).

► **TECHNICAL FEATURES**

Maximum allowable pressure (PS) 10 bar  
 Opening time ~20ms  
 Closing time ~20ms  
 Fluid temperature 0°C +130°C  
 Max viscosity 5°E (~37 cStokes or mm<sup>2</sup>/s)

► **MATERIALS IN CONTACT WITH FLUID**

Body PPS  
 Sealing FPM  
 Internal components Stainless steel and PPS  
 Seat PPS  
 Core tube Stainless steel  
 Shading coil Copper

► **COIL**

Approval UL (class F) – for UL cl.H: ZA34  
 Continuous duty ED 100%  
 Encapsulation material PPS (Polyphenylsulfure) fiberglass reinforced  
 Insulation class F (155°C) on request class H (180°C)  
 Ambient temperature -10°C +50 °C  
 Electric connections DIN 46340 - 3 poles connectors (EN175301-803)  
 Protection degree IP 67 (EN 60529) with plug connector  
 Voltages DC 12-24V (+10% -5%)  
 AC 24V/50Hz - 110V/50Hz (120V/60Hz) - 230V/50Hz (+10% -15%)  
 (Other voltages and frequencies on request)

Port size	Orifice size (mm)	Differential pressure (bar)				Kv (m <sup>3</sup> /h)	Series and type		Power absorption			Sealings	Notes	Weight (kg)
		$\Delta p$ min	$\Delta p$ max		Valve		Coil	AC (VA)		DC (W)				
			Gases	Liquids				Inrush	Holding					
			AC	DC	AC	DC								
Barbed ports	2,5	0	5	5	5	5	L257V06	ZA10A	23	14	9	FPM	1 - 2	0,210
	3		3	3	3									

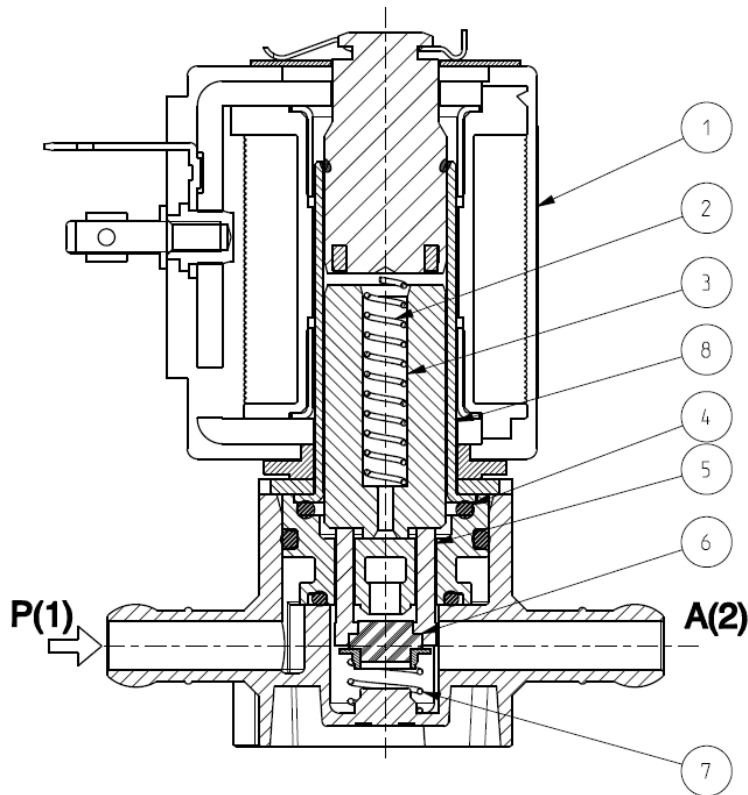
► **NOTES**

- Sealings : FPM = Fluoro-carbon elastomer
- IMQ CSV approval, see ZA10 datasheet for further details
- UL approved coil (E153691)
- 1 - The pressure values shown in the table refer to the potential of the valve: they can be lower depending on the connection system used
- 2 - Only for use with steam, consider following values: PSmax 2,8 bar (max fluid temperature 130°C)



# L257v06

## ► SPARE PARTS



Kit description	Kit P.N.	Consisting of:
Core kit	G3138301	Core return spring pos. 2 Core pos. 3 O-Ring guide assembly pos.4 Pusher pos. 5 Sealing disc return spring pos. 7 Sealing disc pos. 6
Core return spring kit	G290513-001	N°.10 Core return spring pos. 2
O-Ring guide assembly kit	GU2428000015	N°. 10 OR guide assembly pos.4
Guide assembly kit	G31488	Guide assembly pos.8 Coil clip
Coil	ZA10A	Coil pos.1

## ► INSTALLATION

- Solenoid valve can be mounted in any position; vertical with coil upwards preferred.
- In case of disassembling for usual maintenance, the fixing screws of the guide assembly have to be tightened with  $0,6 \pm 0,7$  Nm torque.

THE VALIDITY OF REPORTED DATA IS REFERRED TO THE DATE OF ISSUE. POSSIBLE UPDATES ARE AVAILABLE ON REQUEST.