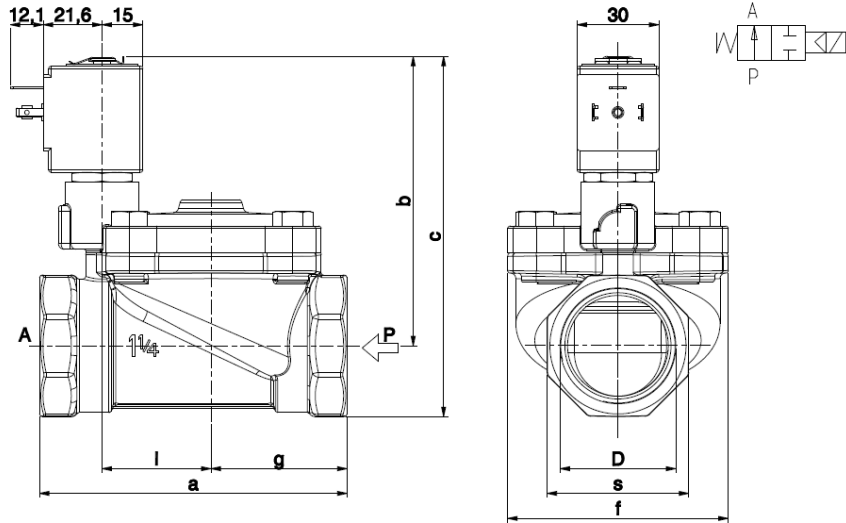




**SOLENOID VALVE**  
**2/2 - NO (Normally open)**  
 Pilot operated  
**1 ¼ ÷ 2 NPT**

**L282-BIG**  
 1 ¼ ÷ 2 NPT



	D	a	b	c	f	g	l	s
1 ¼	113	106	132	81	50	40	52	
1 ½	140	110	140	110	64	53	60	
2	157	114	150	110	72	53	72	

► **GENERAL FEATURES**

Diaphragm valve, pilot operated, having full orifice.  
 Suitable to shut off liquid and gaseous fluids (verify the compatibility of fluid with materials in contact).  
 Not suitable for use with dangerous fluids listed in Group 1, therefore they are free from CE marking in conformity with article 3 § 3 of the European Directive 97/23/EC (Pressure Equipment Directive).

► **MATERIALS IN CONTACT WITH FLUID**

*Body* Brass  
*Sealing* NBR or FPM  
*Internal components* Brass and stainless steel  
*Seat* Brass  
*Guide assembly* Stainless steel  
*Shading ring* Copper

► **TECHNICAL FEATURES**

*Maximum allowable pressure (PS)* 15 bar  
*Opening time* from ~300ms to ~1500ms  
*Closing time* from ~1000ms to ~2000ms  
*Fluid temperature* -10°C +90°C (NBR)  
 0°C +130°C (FPM)  
*Max viscosity* 5°E (~37 cStokes or mm<sup>2</sup>/s)

► **COIL**

*Continuous duty* ED 100%  
*Encapsulation material* PPS (Polyphenylsulfure) fiberglass reinforced  
*Coil insulation class* F (155°C) on request class H (180°C) – UL (see ZA34)  
*Ambient temperature* -10°C +50°C  
*Electric connection* DIN 46340 - 3 poles connector (EN175301-803)  
*Protection degree* IP 67 (EN 60529) with plug connector  
*Voltages* DC ZA10A: 12-24V (+10% -5%)  
 AC ZA10Y: 24V/50Hz - 110V/50Hz (120V/60Hz) - 230V/50Hz (+10% -15%)  
 (Other voltages and frequencies on request)

Port size	Orifice size (mm)	Differential pressure (bar)				Kv (m <sup>3</sup> /h)	Series and type		Power absorption			Sealings	Notes	Weight (kg)	
		Δp max					Valve	Coil	AC (VA)		DC (W)				
		Gases		Liquids					Inrush	Holding					
1 ¼ NPT	30	10	-	10	-	15	L282B50	ZA10Y	28	20	-	NBR (diaphragm) FPM (actuator)	-	1,590	
1 ½ NPT	45	9	-	9	-	27									
2 NPT	45	9	-	9	-	34	L282V50	ZA10Y	28	20	-	FPM	-	2,510	
1 ¼ NPT	30	10	-	10	-	15									
1 ½ NPT	45	9	-	9	-	27	L282B50	ZA10A	-	-	9	NBR (diaphragm) FPM (actuator)	-	1,590	
2 NPT	45	-	10	-	10	15									
1 ¼ NPT	30	-	10	-	10	15	L282V50	ZA10A	-	-	9	FPM	-	2,510	
1 ½ NPT	45	-	9	-	9	27									
2 NPT	45	-	9	-	9	34									2,990

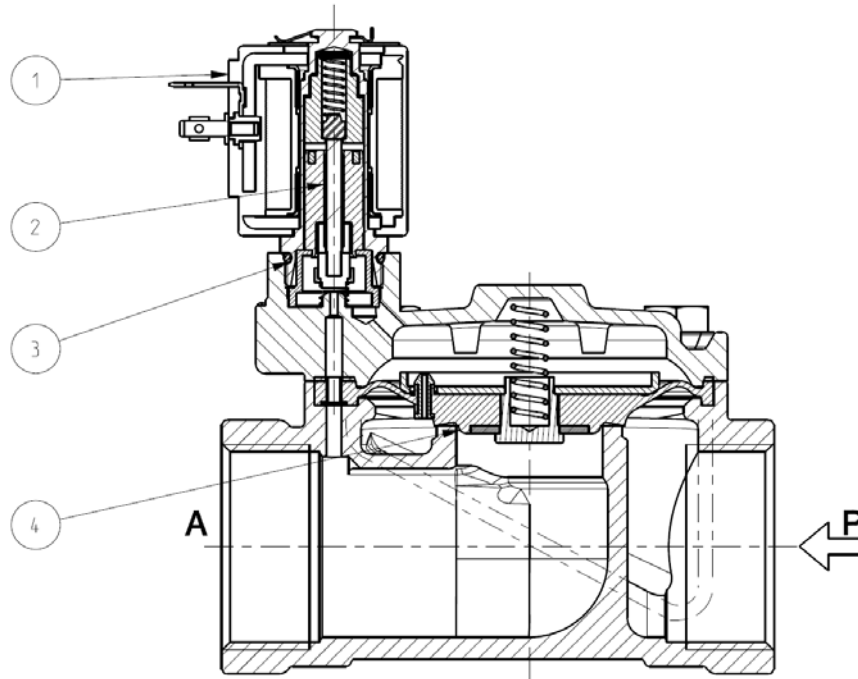
► **NOTE**

- Sealings : NBR = Nitrile-butylene elastomer FPM = Fluoro-carbon elastomer
- Operation with gaseous fluids at high pressure without any outlet restriction can reduce the diaphragm life.
- IMQ CSV approval, see ZA10 datasheet for further details



# L282-BIG - 1" ¼ ÷ 2" NPT

## ► SPARE PARTS



Kit description		Kit P.N.	Consisting of:	
Actuator kit		438589-002R	Actuator kit pos. 2 O-Ring guide assembly pos. 3	
Diaphragm assembly	L282B48	1 ¼ NPT	2400801R	Diaphragm assembly pos. 4
		1 ½ - 2 NPT	2401301R	
	L282V48	1 ¼ NPT	2400802R	
		1 ½ - 2 NPT	2401302R	
Coil		ZA10A ZA10Y	Coil pos. 1	

## ► MOUNTING

Solenoid valve can be mounted in any position; vertical with coil upwards preferred.

THE VALIDITY OF REPORTED DATA IS REFERRED TO THE DATE OF ISSUE. POSSIBLE UPDATES ARE AVAILABLE ON REQUEST.