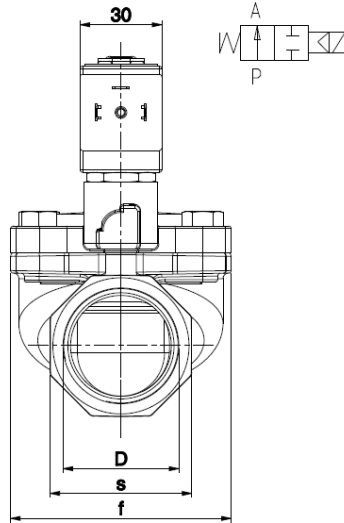
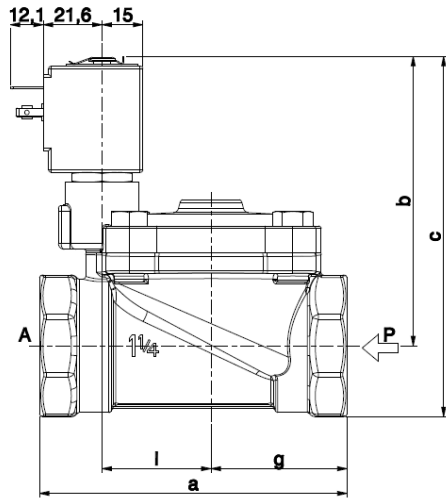




SOLENOID VALVE
2/2 - NO (Normally open)
 Pilot operated
G1 ¼ ÷ 2

L282-BIG

G 1" ¼ ÷ 2"



	D	a	b	c	f	g	l	s
G 1 ¼	113	106	132	81	50	40	52	
G 1 ½	140	110	140	110	64	53	60	
G 2	157	114	150	110	72	53	72	

► **GENERAL FEATURES**

Diaphragm valve, pilot operated, having full orifice.
 Suitable to shut off liquid and gaseous fluids (verify the compatibility of fluid with materials in contact).
 Not suitable for use with dangerous fluids listed in Group 1, therefore they are free from CE marking in conformity with article 3 § 3 of the European Directive 97/23/EC (Pressure Equipment Directive).

► **MATERIALS IN CONTACT WITH FLUID**

Body Brass
Sealing NBR or FPM
Internal components Brass and stainless steel
Seat Brass
Guide assembly Stainless steel
Shading ring Copper

► **TECHNICAL FEATURES**

Maximum allowable pressure (PS) 15 bar
Opening time from ~300ms to ~1500ms
Closing time from ~1000ms to ~2000ms
Fluid temperature -10°C +90°C (NBR)
 0°C +130°C (FPM)
Max viscosity 5°E (~37 cStokes or mm²/s)

► **COIL**

Approval UL (class F) – for UL cl.H: ZA34
Continuous duty ED 100%
Encapsulation material PPS (Polyphenilsulfure) fiberglass reinforced
Coil insulation class F (155°C) on request class H (180°C)
Ambient temperature -10°C +50°C
Electric connection DIN 46340 - 3 poles connector (EN175301-803)
Protection degree IP 67 (EN 60529) with plug connector
Voltages DC ZA10A: 12-24V (+10% -5%)
 AC ZA10YE: 24V/50Hz - 110V/50Hz (120V/60Hz) - 230V/50Hz (+10% -15%)
 (Other voltages and frequencies on request)

Port size ISO 228	Orifice size (mm)	Differential pressure (bar)				Kv (m³/h)	Series and type		Power absorption			Sealings	Notes	Weight (kg)								
		Δp max					Valve	Coil	AC (VA)		DC (W)											
		Δp min	Gases		Liquids				Inrush	Holding												
G 1 ¼	30		10	-	10	-	15	L282B48			ZA10Y	28	20	-	NBR (diaphragm) FPM (actuator)	-	1,590 2,510 2,990					
G 1 ½	45	9	-	9	-	27																
G 2	45			9		34																
G 1 ¼	30	10	-	10	-	15	L282V48		ZA10A	-								-	9	NBR (diaphragm) FPM (actuator)	-	1,590 2,510 2,990
G 1 ½	45	9	-	9	-	27																
G 2	45			9		34																
G 1 ¼	30	-	10	-	10	15	L282B48	ZA10A	-	-	9	NBR (diaphragm) FPM (actuator)	-	1,590 2,510 2,990								
G 1 ½	45	-	9	-	9	27																
G 2	45			9		34																
G 1 ¼	30	-	10	-	10	15	L282V48	ZA10A	-	-	9	FPM	-	1,590 2,510 2,990								
G 1 ½	45	-	9	-	9	27																
G 2	45			9		34																

► **NOTE**

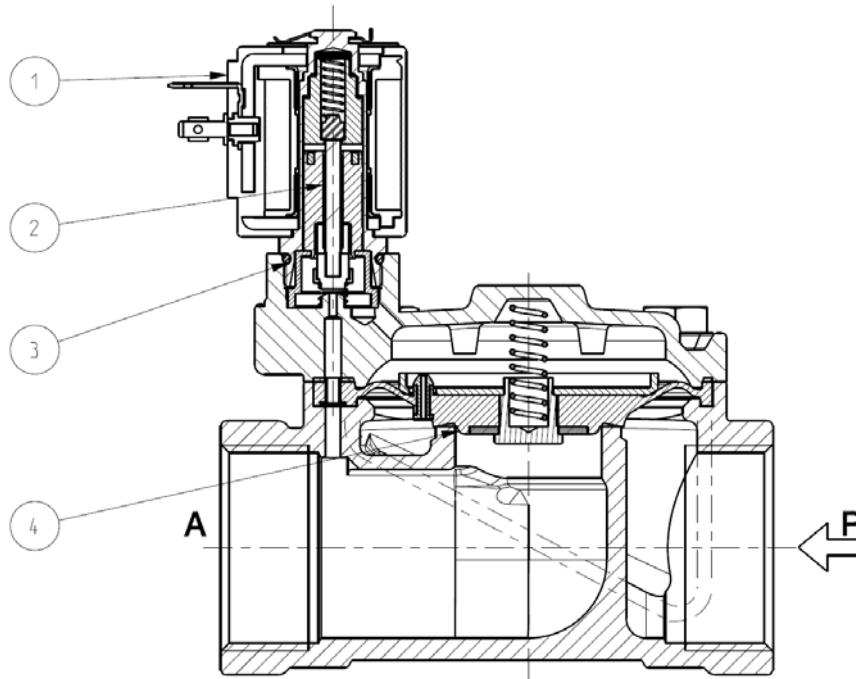
- Sealings : NBR = Nitrile-butylene elastomer FPM = Fluoro-carbon elastomer
- Operation with gaseous fluids at high pressure without any outlet restriction can reduce the diaphragm life.
- IMQ CSV approval, see ZA10 datasheet for further details
- UL approved coil (E153691)

1503/1605



L282-BIG G 1" ¼ ÷ 2"

► SPARE PARTS



Kit description	Kit P.N.	Consisting of:												
Actuator kit	438589-002R	Actuator kit pos. 2 O-Ring guide assembly pos. 3												
Diaphragm assembly	<table border="1"> <tbody> <tr> <td>L282B48</td> <td>G 1 ¼</td> <td>2400801R</td> </tr> <tr> <td></td> <td>G1 ½ - 2</td> <td>2401301R</td> </tr> <tr> <td>L282V48</td> <td>G 1 ¼</td> <td>2400802R</td> </tr> <tr> <td></td> <td>G1 ½ - 2</td> <td>2401302R</td> </tr> </tbody> </table>	L282B48	G 1 ¼	2400801R		G1 ½ - 2	2401301R	L282V48	G 1 ¼	2400802R		G1 ½ - 2	2401302R	Diaphragm assembly pos. 4
L282B48	G 1 ¼	2400801R												
	G1 ½ - 2	2401301R												
L282V48	G 1 ¼	2400802R												
	G1 ½ - 2	2401302R												
Coil	<table border="1"> <tbody> <tr> <td>ZA10A</td> </tr> <tr> <td>ZA10Y</td> </tr> </tbody> </table>	ZA10A	ZA10Y	Coil pos. 1										
ZA10A														
ZA10Y														

► MOUNTING

Solenoid valve can be mounted in any position; vertical with coil upwards preferred.

THE VALIDITY OF REPORTED DATA IS REFERRED TO THE DATE OF ISSUE. POSSIBLE UPDATES ARE AVAILABLE ON REQUEST.