



SOLENOID VALVE

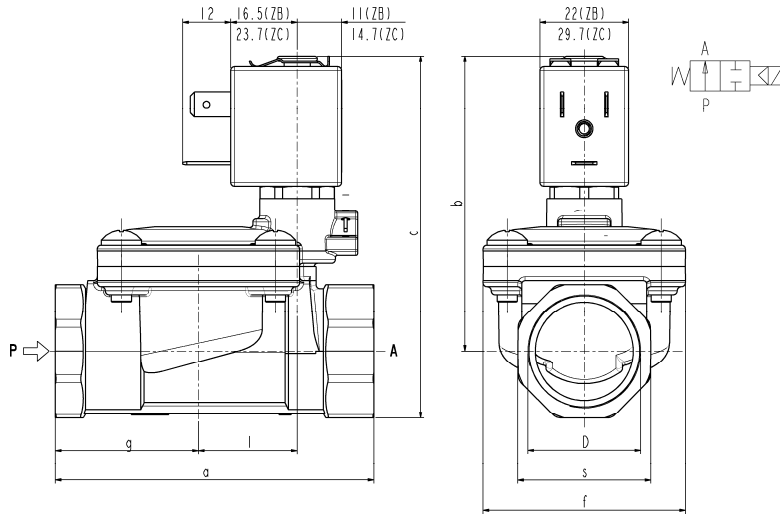
2/2- NO (Normally open)

Pilot operated

G3/8 ÷ G1

L282

STAINLESS STEEL



D	a	b	c	f	g	l	s
G 3/8	60	67	78	40	25,5	20	22
G 1/2	66	69	83	40	29	20	27
G 3/4	79	73,5	90	50	35,5	24,5	33
G 1	105	86	107	71	46	28	42

► GENERAL FEATURES

Diaphragm valve, pilot operated, having full orifice.
 Suitable to shut off liquid and gaseous fluids (verify the compatibility of fluid with material in contact).

► TECHNICAL FEATURES

Maximum allowable pressure (PS) 20bar
 Opening time from ~300ms to ~1500ms
 Closing time from ~1000ms to ~2000ms
 Fluid temperature -10°C +90°C (NBR)
 0°C +130°C (FPM)
 Max viscosity 5°E (~37 cStokes or mm²/s)

► MATERIALS IN CONTACT WITH FLUID

Body Stainless steel AISI 316L
 Sealing NBR or FPM
 Internal components Stainless steel
 Seat Stainless steel AISI 316L
 Core tube Stainless steel
 Shading coil Copper

► COIL

Approval
 Encapsulation material
 Insulation class
 Ambient temperature
 Continuous duty
 Electric connection
 Protection degree
 Voltages DC
 AC

ZB12K ZC12A	ZB14K ZC14A
▲ UL and CSA	
PET fiberglass reinforced	
F (155°C)	H (180°C)
-10°C +60°C	-10°C +75°C
ED 100%	
DIN46340 - 3 poles plug connector (EN 75301-803 for ZC)	
IP 67 (EN 60529) with plug connector	
ZC: 12-24V (+10% -5%)	
ZB: 24V/50-60Hz - 120V/60Hz - 230V/50-60Hz - 220-230/50Hz 208-240/60Hz (on request) - (+10% -15%)	
(Other voltages and frequencies on request)	

▲ : approvals valid for ZB12K – ZB14K only

Port size ISO 228	Orifice size (mm)	Differential pressure (bar)				Kv (m ³ /h)	Series and type		Power absorption				Sealings	Notes	Weight (kg)															
		Δp max					Valve	Coil	AC (VA)			C																		
		Gas		Liquids					Inrush	Holding	W					W														
Δp min	AC	DC	AC	DC	VA	VA	W	W																						
3/8	13,5	0,35	12	12	-	-	2,5	ZB12K	11,7	10	7,6	-	-	-	NBR	0,30														
															FPM															
1/2	18														10		10	-	-	3,8	ZB12K	11,7	10	7,6	-	-	-	NBR	0,35	
																												FPM		
3/4	24														12		12	-	-	5	ZB12K	11,7	10	7,6	-	-	-	NBR	0,50	
																												FPM		
1	18		10	10	-	-	12	ZB12K	11,7	10	7,6	-	-	-	NBR	1,09														
															FPM															
3/8	13,5		0,35	12	12	-	-	2,5	ZC12A	-	-	-	5,5	-	-	NBR	0,37													
																FPM														
1/2	18															10		10	-	-	3,8	ZC12A	-	-	-	5,5	-	-	NBR	0,41
																													FPM	
3/4	24	12														12		-	-	5	ZC12A	-	-	-	5,5	-	-	NBR	0,56	
																												FPM		
1	18	10		10	-	-	12	ZC12A	-	-	-	5,5	-	-	NBR	1,16														
															FPM															

► NOTES

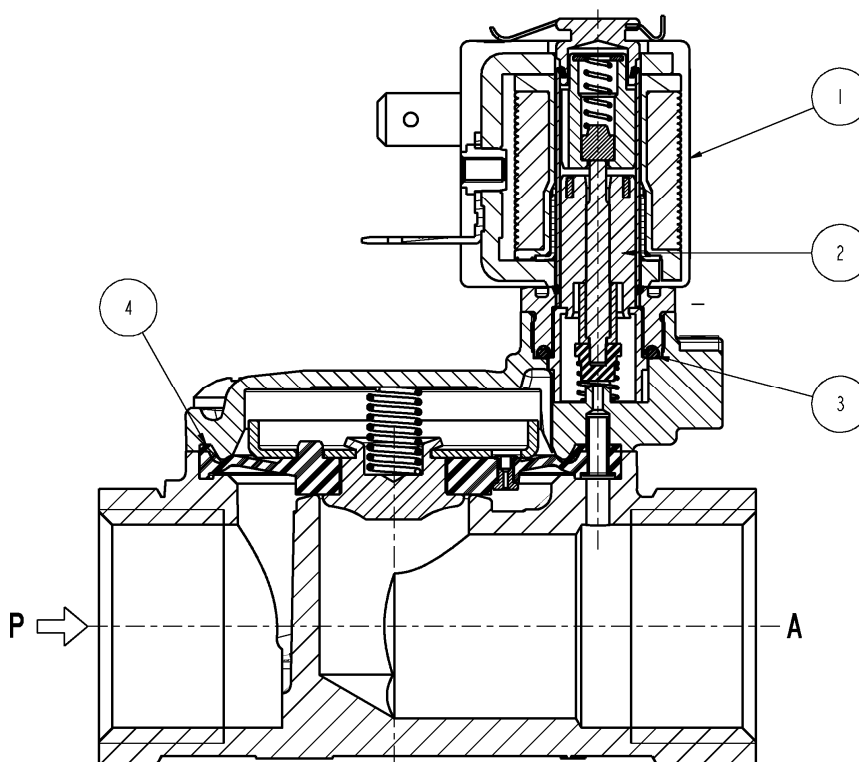
- Sealings: NBR = Nitrile-butylene elastomer FPM = Fluoro-carbon elastomer
- Operation with gaseous media, at high pressure without any outlet restriction, can reduce the diaphragm life.
- On request coil in class H (ZB14K – ZC14A – see § "COIL")
- On request **WRAS** certified solenoid valve with EPDM sealing (certificate n° 1411048).



L282

STAINLESS STEEL

► SPARE PARTS



Kit description		Kit P.N.	Consisting of:
Actuator kit		G3141901	Actuator kit pos.2 O-Ring guide assembly pos. 3
Diaphragm assembly	L282B	G3/8-1/2	Diaphragm assembly pos.4
		G3/4	
	G1		
	L282V	G3/8-1/2	
G3/4			
G1			
Coil		ZB ZC	Coil pos.1

► INSTALLATION

- Solenoid valve can be mounted in any position; vertical with coil upwards preferred.

THE VALIDITY OF REPORTED DATA IS REFERRED TO THE DATE OF ISSUE. POSSIBLE UPDATES ARE AVAILABLE ON REQUEST.