



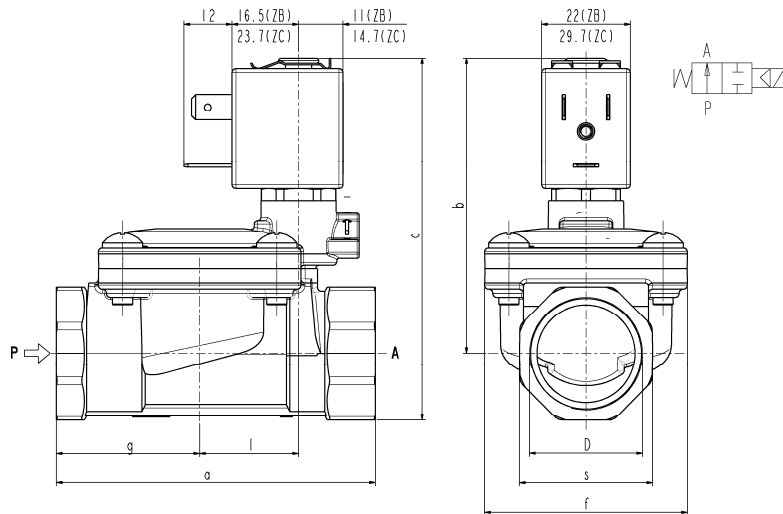
SOLENOID VALVE

2/2- NO (Normally open)

Pilot operated

3/8 ÷ 1 NPT

L282-NPT



D	a	b	c	f	g	l	s
3/8 NPT	60	67	78	40	25,5	20	22
1/2 NPT	66	69	83	40	29	20	27
3/4 NPT	79	73,5	90	50	35,5	24,5	33
1 NPT	105	85	106	71	46	28	42

► GENERAL FEATURES

Diaphragm valve, pilot operated, having full orifice.
Suitable to shut off liquid and gaseous fluids (verify the compatibility of fluid with material in contact).

► TECHNICAL FEATURES

Maximum allowable pressure (PS) 20bar
Opening time from ~300ms to ~1500ms
Closing time from ~1000ms to ~2000ms
Fluid temperature -10°C +90°C (NBR)
0°C +130°C (FPM)
Max viscosity 5°E (~37 cStokes or mm²/s)

► MATERIALS IN CONTACT WITH FLUID

Body Brass
Sealing NBR or FPM
Internal components Brass and stainless steel
Seat Brass
Core tube Stainless steel
Shading coil Copper

► COIL

Approval
Encapsulation material
Insulation class
Ambient temperature
Continuous duty
Electric connection
Protection degree
Voltages DC
AC

ZB10K ZC10A	ZB12K ZC12A	ZB14K ZC14A
/	▲ UL and CSA	▲ UL and CSA
PA fiberglass reinforced F (155°C)	PET fiberglass reinforced F (155°C)	PET fiberglass reinforced H (180°C)
-10°C +60°C	-10°C +60°C	-10°C +75°C
ED 100%		
DIN 46340 - 3 poles plug connector		
IP 65 (EN 60529) with plug connector	IP 67 (EN 60529) with plug connector	IP 67 (EN 60529) with plug connector
ZC: 12-24V (+10% -5%)		
ZB: 24V/50-60Hz - 120V/60Hz - 230V/50-60Hz - 220-230/50Hz 208-240/60Hz (on request) - (+10% -15%)		
(Other voltages and frequencies on request)		

▲ : approval valid for ZB12K - ZB14K only

Port size NPT	Orifice size (mm)	Differential pressure (bar)				Kv (m ³ /h)	Series and type		Power absorption				Sealings	Notes	Weight (kg)				
		Δp max					Valve	Coil	AC (VA)										
		Gas		Liquids					Inrush	Holding		DC							
Δp min	AC	DC	AC	DC	VA	VA	W	W											
3/8	13,5	0,35	12	12	-	2,5	L282B03	ZB10K ZB12K	11,7	10	7,6	-	NBR	-	0,32				
																5	L282V03	FPM	
																	L282B03		NBR
																	L282V03		
1/2	18	0,35	10	10	-	3,8	L282B03	ZC10A ZC12A	-	-	-	5,5	NBR	-	0,38				
																5	L282V03	FPM	
																	L282B03		NBR
																	L282V03		
3/4	24	0,35	12	12	-	5	L282B03	ZC10A ZC12A	-	-	-	5,5	NBR	-	0,52				
																10	L282V03	FPM	
																	L282B03		NBR
																	L282V03		
1	24	0,35	10	10	-	12	L282B03	ZC10A ZC12A	-	-	-	5,5	NBR	-	1,08				
																10	L282V03	FPM	
																	L282B03		NBR
																	L282V03		

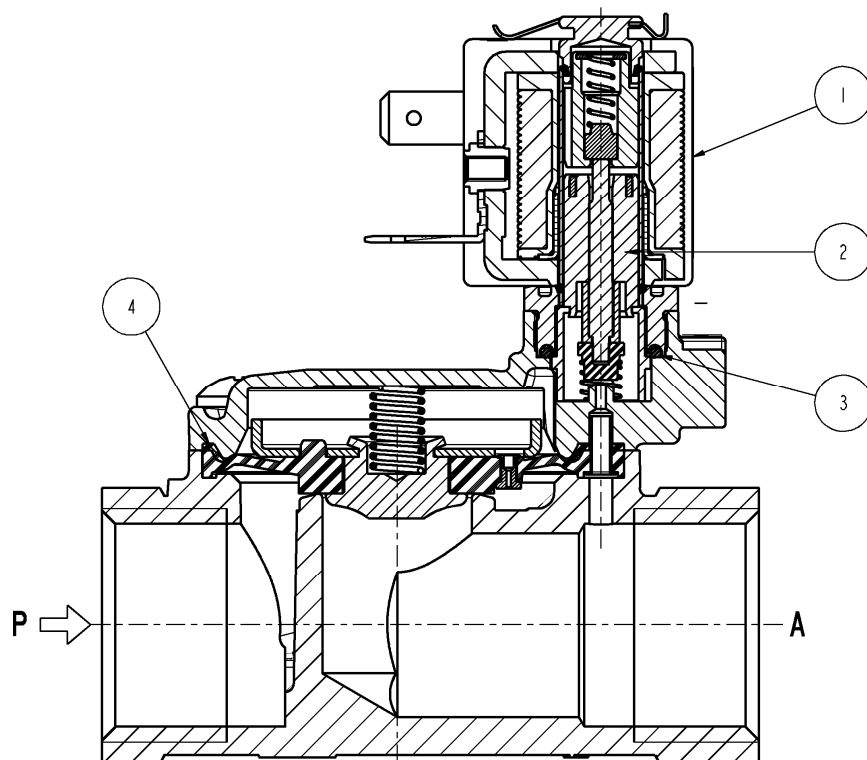
► NOTES

- Sealings: NBR=Nitrile-butylene elastomer FPM=Fluoro-carbon elastomer
- Operation with gaseous media, at high pressure without any outlet restriction, can reduce the diaphragm life.
- On request coil in class H (ZB14K - ZC14A - see § "COIL")



L282-NPT

► SPARE PARTS



Kit description	Kit P.N.	Consisting of:														
Actuator kit	G3139801	Actuator kit pos.2 O-Ring guide assembly pos. 3														
Diaphragm assembly	<table border="1"> <tr> <td rowspan="3">L282B</td> <td>G3/8-1/2</td> <td>2844302R</td> </tr> <tr> <td>G3/4</td> <td>2299701R</td> </tr> <tr> <td>G1</td> <td>2380101R</td> </tr> <tr> <td rowspan="3">L282V</td> <td>G3/8-1/2</td> <td>2844303R</td> </tr> <tr> <td>G3/4</td> <td>2299702R</td> </tr> <tr> <td>G1</td> <td>2380102R</td> </tr> </table>	L282B	G3/8-1/2	2844302R	G3/4	2299701R	G1	2380101R	L282V	G3/8-1/2	2844303R	G3/4	2299702R	G1	2380102R	Diaphragm assembly pos.4
L282B	G3/8-1/2		2844302R													
	G3/4		2299701R													
	G1	2380101R														
L282V	G3/8-1/2	2844303R														
	G3/4	2299702R														
	G1	2380102R														
Coil	<table border="1"> <tr> <td>ZB</td> <td></td> </tr> <tr> <td>ZC</td> <td></td> </tr> </table>	ZB		ZC		Coil pos.1										
ZB																
ZC																

► INSTALLATION

- Solenoid valve can be mounted in any position; vertical with coil upwards preferred.

THE VALIDITY OF REPORTED DATA IS REFERRED TO THE DATE OF ISSUE. POSSIBLE UPDATES ARE AVAILABLE ON REQUEST