



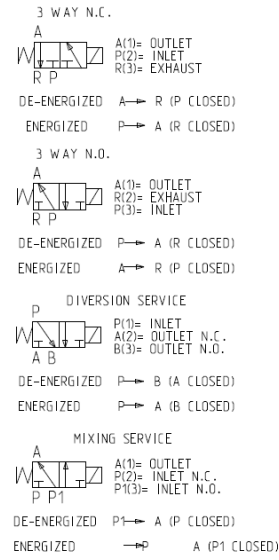
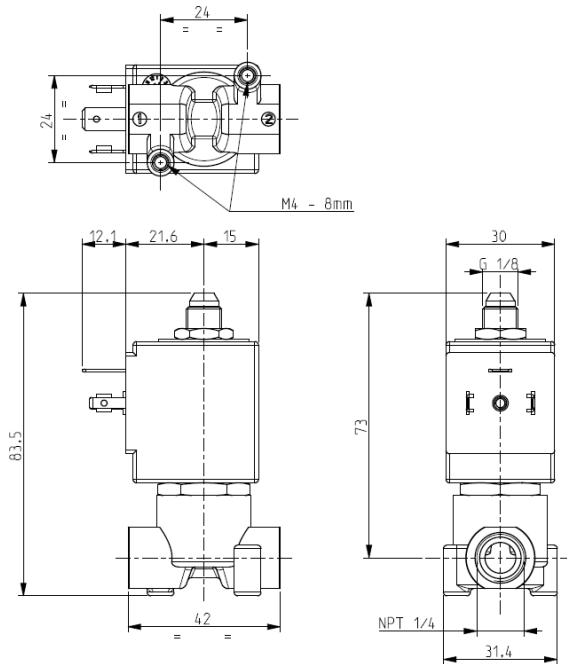
SOLENOID VALVE

3/2 - NC - NO - U (Universal service)

Direct acting

1/4 NPT

L321-NPT



► GENERAL FEATURES

Direct acting solenoid valve.
 Suitable to shut off liquid and gaseous fluids (verify the compatibility of fluid with materials in contact).

► TECHNICAL FEATURES

Maximum allowable pressure (PS) 40 bar
 Opening time ~20ms
 Closing time ~20ms
 Fluid temperature -10°C +90°C (NBR)
 0°C +130°C (FPM)
 Max viscosity 5°E (~37 cStokes or mm²/s)

► MATERIALS IN CONTACT WITH FLUID

Body Brass
 Sealing NBR or FPM
 Internal components Stainless steel
 Seat Brass
 Guide assembly Stainless steel
 Shading ring Copper

► COIL

Continuous duty ED 100%
 Encapsulation material PPS (Polyphenylsulfure) fiberglass reinforced
 Coil insulation class F (155°C) on request class H (180°C) – UL (see ZA34)
 Ambient temperature -10°C +50°C
 Electric connections DIN 46340 - 3 poles connectors (EN 175301-803)
 Protection degree IP 67 (EN 60529) with plug connector
 Voltages DC ZA10G: 12-24V (+10% -5%)
 AC ZA10A: 24V/50Hz - 110V/50Hz (120V/60Hz) - 230V/50Hz (+10% -15%)
 (Other voltages and frequencies on request)

Port size NPT	Orifice size (mm)	Differential pressure (bar)				Kv (m ³ /h)	Series and type		Power absorption			Sealings	Function Notes	Weight (kg)		
		Δp min	Δp max		Valve		Coil	AC (VA)		DC (W)						
			Gases	Liquids				Inrush	Holding							
1/4	2,3	0	AC	DC	AC	DC	L321B03C	ZA10A	23	14	-	NBR	NC	0,370		
			-	8	-	8			-	-	12				NC	
			AC	DC	AC	DC		L321V03C	ZA10A	23	14		-			FPM
			-	8	-	8				-	-		12		NC	
			AC	DC	AC	DC		L321B03A	ZA10A	23	14		-			NBR
			-	8	-	8				-	-		12		NO	
			AC	DC	AC	DC		L321V03G	ZA10A	23	14		-			FPM
			-	5	-	5				-	-		12		U	
			AC	DC	AC	DC		L321V03G	ZA10G	23	14		-			FPM
			-	5	-	5				-	-		12		U	

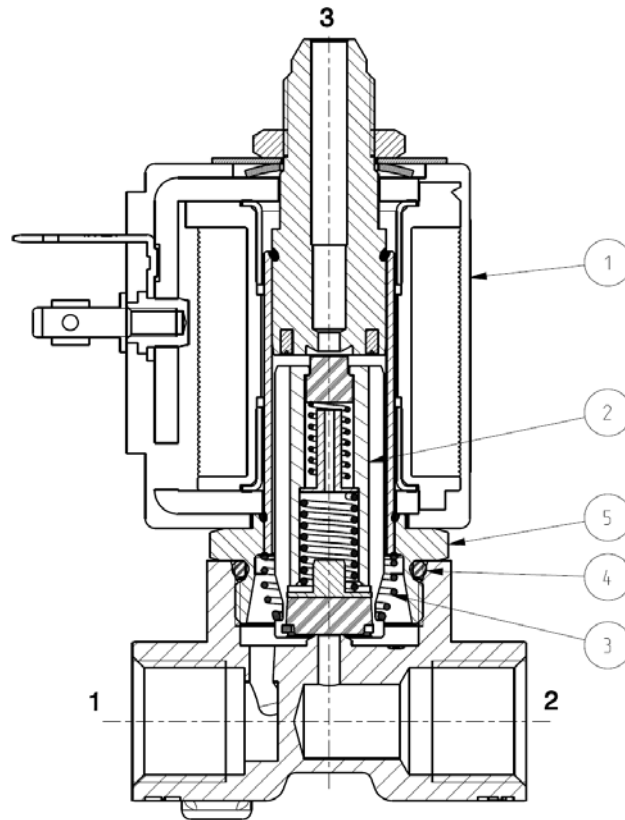
► NOTES

- Sealings : NBR = Nitrile-butylene elastomer FPM = Fluoro-carbon elastomer
 - NC: Normally closed NO: Normally open U: Universal service
 - IMQ CSV approval, see ZA10 datasheet for further details



L321-NPT

► SPARE PARTS



Kit description

Core kit

L321B03C
L321V03C
L321B03A
L321V03G

Kit P.N.

G3065902
G3065901
G3064902
G3065101

Consisting of:

Core pos. 2
Core return spring pos. 3
O-Ring guide assembly pos. 4

Core return spring kit

L321B-V03C
L321B03A
L321V03G

G3065701
G3063601
G3022401

N.10 core return spring pos. 3

O-Ring guide assembly kit

L321B...
L321V...

GU2421000017
GU2424000017

N.10 O-Ring guide assembly pos. 5

Guide pipe assembly

3027601

Guide pipe assembly pos. 5

Coil

ZA10A
ZA10G

Coil pos. 1

► MOUNTING

Solenoid valve can be mounted in any position; vertical with coil upwards preferred.

THE VALIDITY OF REPORTED DATA IS REFERRED TO THE DATE OF ISSUE. POSSIBLE UPDATES ARE AVAILABLE ON REQUEST.