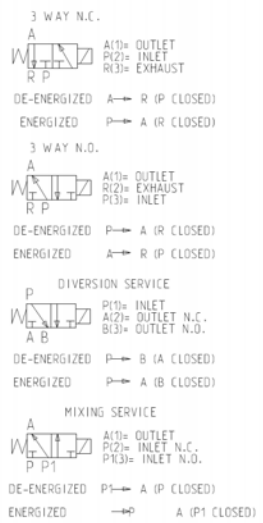
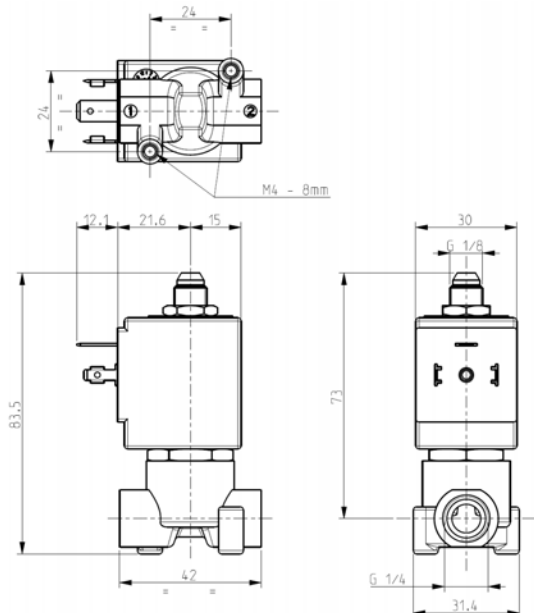




SOLENOID VALVE
3/2 - NC - NO - U (Universal service)
Direct acting
G 1/4

L321



► **GENERAL FEATURES**

Direct acting solenoid valve.
 Suitable to shut off liquid and gaseous fluids (verify the compatibility of fluid with materials in contact).

► **TECHNICAL FEATURES**

Maximum allowable pressure (PS)	40 bar
Opening time	~20ms
Closing time	~20ms
Fluid temperature	-10°C +90°C (NBR) 0°C +130°C (FPM)
Max viscosity	5°E (~37 cStokes or mm ² /s)

► **MATERIALS IN CONTACT WITH FLUID**

Body	Brass
Sealing	NBR or FPM
Internal components	Stainless steel
Seat	Brass
Guide assembly	Stainless steel
Shading ring	Copper

► **COIL**

Approval	UL (class F) – for UL cl.H: ZA34
Continuous duty	ED 100%
Encapsulation material	PPS (Polyphenilsulfure) fiberglass reinforced
Coil insulation class	F (155°C) on request class H (180°C)
Ambient temperature	-10°C +50°C
Electric connections	DIN 46340 - 3 poles connectors (EN175301-803)
Protection degree	IP 67 (EN 60529) with plug connector
Voltages	DC AC
	ZA10G: 12-24V (+10% -5%) ZA10A: 24V/50Hz - 110V/50Hz (120V/60Hz) - 230V/50Hz (+10% -15%) (Other voltages and frequencies on request)

Port size ISO 228	Orifice size (mm)	Differential pressure (bar)	Kv (m ³ /h)	Series and type		Power absorption			Sealings	Function Notes	Weight (kg)		
				Valve	Coil	AC (VA)		DC (W)					
						Inrush	Holding						
G 1/4	2,3	0	0,14	L321B02C	ZA10A	23	14	-	NBR	NC - 1	0,300		
						ZA10G	-	-		12		NC	
					L321V02C		ZA10A	23		14		-	FPM
						ZA10G		-		-		12	
					L321B02A		ZA10A	23		14		-	NBR
						ZA10G		-		-		12	
				L321V02G	ZA10A		23	14	-	FPM		U - 1	
						ZA10G	-	-	12			U	

► **NOTES**

- Sealings : NBR = Nitrile-butylene elastomer FPM = Fluoro-carbon elastomer
- NC: Normally closed NO: Normally open U: Universal
- IMQ CSV approval, see ZA10 datasheet for further details
- UL approved coil (E153691)
- 1 - On request special coil ZA10X, class "F", with UL homologated windings – see overleaf.
- 2 - Model available on request only: ask for minimum quantity.



L321

► COIL FOR SPECIAL VOLTAGES ZA10X

Approval UL (class F); see voltages
 Continuous duty ED 100%
 Encapsulation material PPS (Polyphenilsulfure) fiberglass reinforced
 Coil insulation class F (155°C)
 Ambient temperature -10°C +50°C

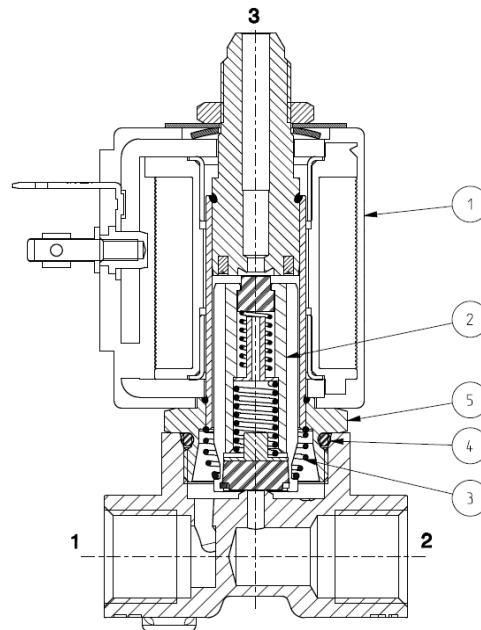
Electric connections DIN 46340 - 3 poles connectors (EN175301-803)
 Protection degree IP 67 (EN 60529) with plug connector
 Voltages AC 24V/50-60Hz (UL) ▪ 100V/50-60Hz ▪ 115-120V/60Hz ▪
 200V/50-60Hz ▪ 220-230V/50Hz - 208-240V/60Hz (UL) ▪
 220-240V/50Hz (UL) ▪ (+10% -15%)

Port size ISO 228	Orifice size (mm)	Differential pressure (bar)				Kv (m ³ /h)	Series and type		Power absorption			Sealings	Function Notes	Weight (kg)	
		Δp min	Δp max				Valve	Coil	AC (VA)		DC (W)				
			Gases		Liquids				Inrush	Holding					
G 1/4	2,3	0	8		8	0,14	L321B02C	ZA10X	23	14	-	NBR	NC	0,380	
			8	-	8		FPM					NC			
			8		8		NBR					NO - 1			
			5		5		FPM					UF			

► NOTES

- Sealings : NBR = Nitrile-butylene elastomer FPM = Fluoro-carbon elastomer
 - NC: Normally closed NO: Normally open U: Universal
 1 - Model available on request only: ask for minimum quantity.

► SPARE PARTS



Kit description

Core kit

L321B02C
 L321V02C
 L321B02A
 L321V02G

Kit P.N.

G3038405
 G3038404
 G3064902
 G3065101

Consisting of:

Core pos. 2
 Core return spring pos. 3
 OR guide assembly pos. 4

Core return spring kit

L321B-V02C
 L321B02A
 L321V02G

G3065701
 G3063601
 G3022401

N.10 core return spring pos. 3

OR guide assembly kit

L321B02C-A
 L321V02C-G

GU2421000017
 GU2424000017

N.10 OR guide assembly pos. 5

Guide pipe assembly

297779-001R

Guide pipe assembly pos. 5

Coil

ZA10A
 ZA10G
 ZA10X

Coil pos. 1

► MOUNTING

Solenoid valve can be mounted in any position; vertical with coil upwards preferred.

THE VALIDITY OF REPORTED DATA IS REFERRED TO THE DATE OF ISSUE. POSSIBLE UPDATES ARE AVAILABLE ON REQUEST.