

L334

► COILS FOR SPECIAL VOLTAGES ZA10X – ZA10B

Approval UL (class F); see voltages
 Continuous duty ED 100%
 Encapsulation material PPS (Polyphenylsulfure) fibreglass reinforced
 Coil insulation class F (155°C)
 Ambient temperature -10°C +50°C

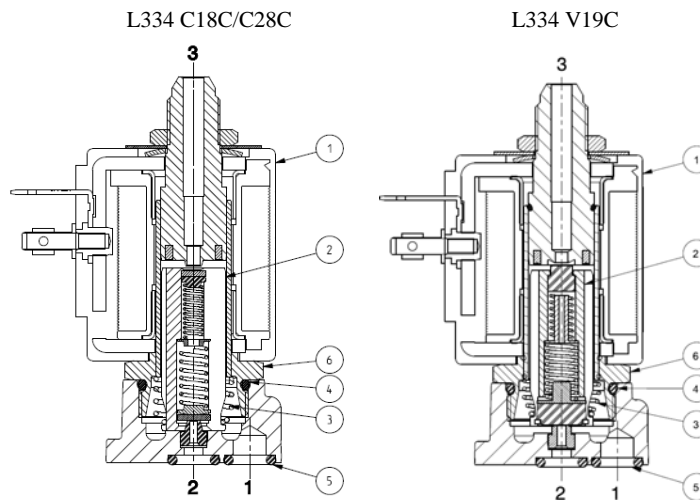
Electric connections DIN 46340 - 3 poles connectors (EN175301-803)
 Protection degree IP 67 (EN 60529) with plug connector
 Voltages DC ZA10B: 24V (UL) ▪ (+10% -5%)
 AC ZA10X: 24V/50-60Hz (UL) ▪ 100V/50-60Hz ▪ 115-200V/50-60Hz ▪ 220-230V/50Hz - 208-240V/60Hz (UL) ▪ 220-240V/50Hz (UL) ▪ (+10% -15%)

Port size	Orifice size (mm)	Differential pressure (bar)				Kv (m³/h)	Series and type		Power absorption			Sealings	Notes	Weight (kg)	
		Δp min	Δp max				Valve	Coil	AC (VA)		DC (W)				
			Gases		Liquids				Inrush	Holding					
			AC	DC	AC										AC
-	1,5	0	13	-	13	-	L334C18C	ZA10X	23	14	-	RUBY	1-2-3	0,250	
			-	13	-	13		ZA10B	-	-	10				
			13	-	13	-	L334C28C	ZA10X	23	14	-				
			-	13	-	13		ZA10B	-	-	10				
	1,6	13	-	13	-	L334V19C	ZA10X	23	14	-	FPM				2-4

► NOTES

- Sealings: RUBY = Synthetic corundum FPM = Fluoro-carbon elastomer
- Upper exhaust (3) with seat diameter 2,5 mm (L334C18C/C28C) and with seat diameter 2,3 mm (L334V19C).
- 1 – The use of rigid sealings (RUBY) with gaseous fluids implies a slight leakage, generally limited within 2 scc/min at 1 bar pressure.
- 2 – OR between core armature and body in FPM (Fluoro-carbon elastomer)
- 3 – Only for use with steam, consider following values: PSmax = 8 bar (max fluid temperature 170°).
- 4 – Only for use with steam, consider following values: PSmax = 2,8 bar (max fluid temperature 130°).

► SPARE PARTS



Kit description

Core kit	L334C18C/C28C L334V19C
Core return spring kit	L334C18C/C28C L334V19C
O-Ring guide assembly kit	
O-Ring body kit	
Guide assembly	L334C18C/C28C L334V19C
Coil	

Kit P.N.

G3008701 G3027803
G3018201 G515420001
GU2424000017
GU2424000007
3001701R 297779-001R
ZA10A ZA10G ZA10X ZA10B

Consisting of:

Core pos.2 O-Ring guide assembly pos. 4
N.10 core return spring pos.3
N.10 O-Ring guide assembly pos.4
N.10 O-Ring body pos.5
Guide assembly pos.6
Coil pos. 1

► MOUNTING

Solenoid valve can be mounted in any position; vertical with coil upwards preferred.

THE VALIDITY OF REPORTED DATA IS REFERRED TO THE DATE OF ISSUE. POSSIBLE UPDATES ARE AVAILABLE ON REQUEST.