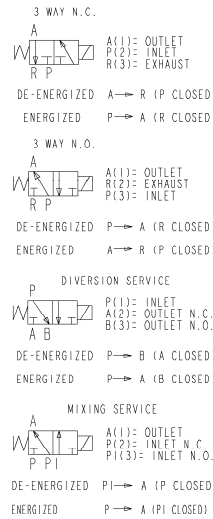
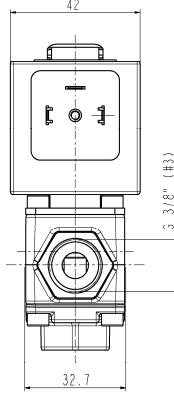
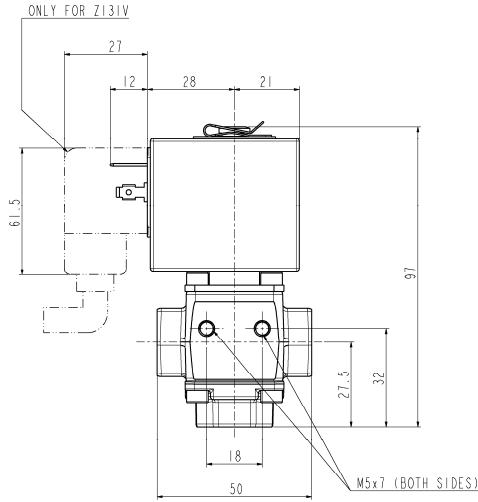




SOLENOID VALVE
3/2- US (Universal service)
Direct acting
G 3/8

L340



► **GENERAL FEATURES**

Direct acting solenoid valve.
 Suitable to shut off liquid and gaseous fluids (verify the compatibility of fluid with material in contact).

► **TECHNICAL FEATURES**

Maximum allowable pressure (PS) 16bar
 Opening time ~30ms
 Closing time ~30ms
 Fluid temperature -20°C +130°C (only for use with vegetal oils–diesel)
 0°C +130°C (other fluids)
 Max viscosity 5°E (~37 cStokes or mm²/s)

► **MATERIALS IN CONTACT WITH FLUID**

Body Aluminum
 Sealing FPM
 Internal components Stainless steel - PTFE
 Seat Aluminum
 Core tube Stainless steel

► **COIL**

Continuous duty ED 100%
 Encapsulation material PET (polyethylene-terephthalate) fibreglass reinforced
 Insulation class Z130A-Z131V: F (140°C)
 Z134A: H (165°C) - UL
 Ambient temperature Z130A-Z131V: -10°C +60°C
 Z134A: -30°C +80°C
 Electric connection DIN46340 - 3 poles plug connectors (EN175301-803)
 Protection degree IP 65 (EN 60529) with plug connectors
 Voltages DC 12-24V (+10% -5%) – see note 3
 (Other voltages on request).

Port size ISO 228	Orifice size (mm)	Differential pressure (bar)				Kv (m ³ /h)	Series and type		Power absorption			Sealings	Notes	Weight (kg)
		Δp min	Δp max		Valve		Coil	AC (VA)		DC (W)				
			Gases	Liquids				Inrush	Holding					
			AC	DC	AC	DC								
G 3/8	12	0	-	4		4	L340V09G	Z130A	-	-	13	FPM	1 - 2	0,470
								Z134A					1 - 2 - 3	0,490
								Z131V					2 - 4	0,470
				2		2	L340V10G	Z130A						
1,5		1,5	Z134A											
							Z131V							

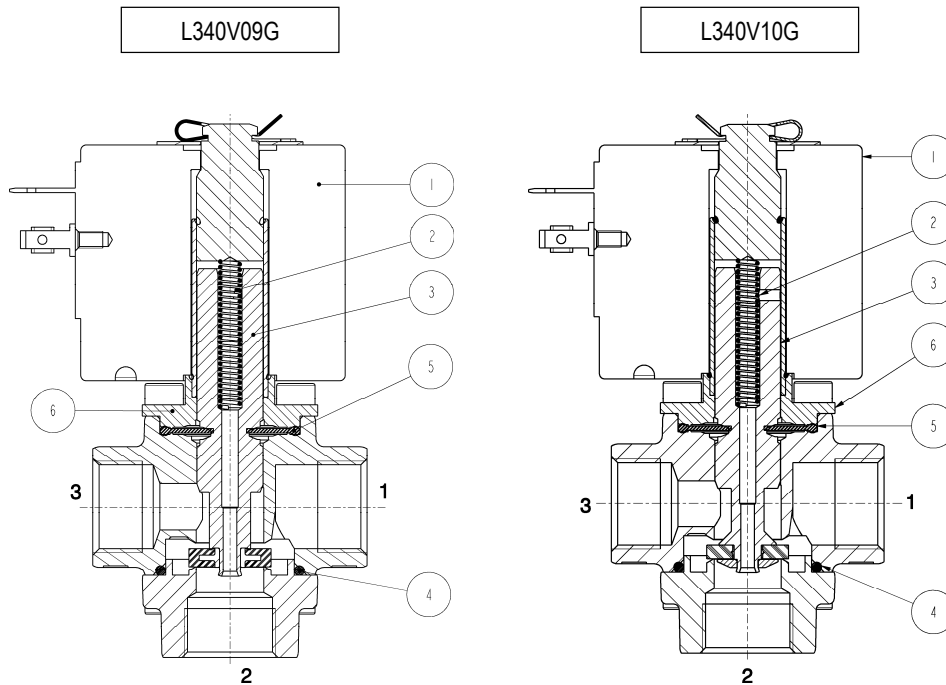
► **NOTES**

- Sealings: FPM = Fluoro-carbon elastomer
- 1 - When used in mixing function the Δp max is 6 bar
- 2 - Designed for heavy duties and high number of cycles. The parts subject to sliding friction are duly coated by PTFE self lubricating material.
- 3 - The use of Z131V coil (fitted by plug connector with built-in rectifier) allows energizing in AC rated at 220-230V/50-60Hz - 240V/60Hz.
- 4 - Silenced model



L340

► SPARE PARTS



Kit description

Core kit

L340V09G

Kit P.N.

G3139702

Consisting of:

Core pos.3
Diaphragm pos.5
Core return spring pos.2
O-Ring pos.4

L340V10G

G3142401

Core return spring kit

G2446101

N.10 core return spring pos.2

O-Ring kit

GU2424000021

N.10 O-Ring pos.4

Guide pipe assembly

292713-001R

Guide pipe pos.6

Coil

Z130A
Z134A
Z131V

Coil pos.1

► MOUNTING

- Solenoid valve can be mounted in any position; vertical with coil upwards preferred.

THE VALIDITY OF REPORTED DATA IS REFERRED TO THE DATE OF ISSUE. POSSIBLE UPDATES ARE AVAILABLE ON REQUEST