



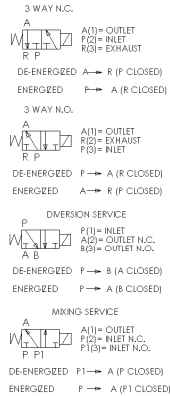
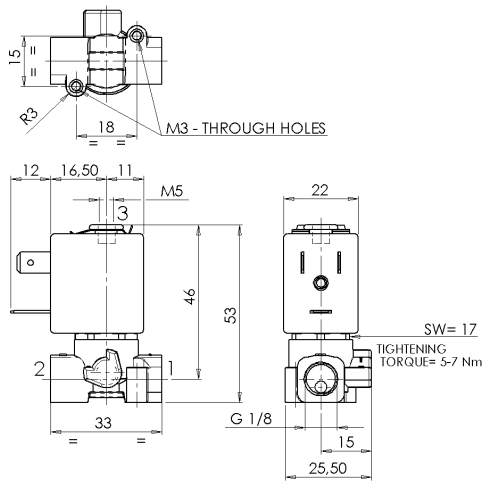
SOLENOID VALVE

3/2- NC - NO - US (Universal service)

Direct acting G 1/8

L372

STAINLESS STEEL

NON STANDARD


► GENERAL FEATURES

Direct acting solenoid valve.
Suitable to shut off liquid and gaseous fluids (verify the compatibility of fluid with material in contact)

► TECHNICAL FEATURES

Maximum allowable pressure (PS) 50bar
Opening time ~10ms
Closing time ~10ms
Fluid temperature 0°C +130°C
Max viscosity 5°E (~37 cStokes or mm²/s)

► MATERIALS IN CONTACT WITH FLUID

Body Stainless steel AISI 316L
Sealing FPM
Internal components Stainless steel
Seat Stainless steel AISI 316L
Core tube Stainless steel
Shading coil Copper

► COIL

Approval
Encapsulation material
Insulation class
Ambient temperature
Continuous duty
Electric connection
Protection degree
Voltages DC
 AC

ZB12A	ZB14A
UL and CSA	UL and CSA
PET (polyethylene-terephthalate) fiberglass reinforced	PET (polyethylene-terephthalate) fiberglass reinforced
F (155°C)	H (180°C)
-10°C +60°C	-10°C +75°C
ED 100%	
DIN 46340 - 3 poles plug connector	
IP 67 (EN 60529) with plug connector	
12-24V (+10% -5%)	
24V/50-60Hz - 115V/50Hz - 230V/50-60Hz (+10% -15%)	
(Other voltages and frequencies on request).	

Port size ISO 228	Orifice size (mm)		Differential pressure (bar)				Kv (m ³ /h)		Series and type		Power absorption				Sealings	Notes	Weight (kg)	
			Δp min	Δp max		AC (VA)					DC							
				Gases	Liquids	Inrush						Holding	VA	W				
	1↔2	1↔3	c.a.	c.c.	c.a.	c.c.	1↔2	1↔3	Valve	Coil	VA	VA	W	W				
NC - Normally closed																		
G 1/8	1,2	1,2	0	15	15	15	15	0,05	0,05	L372V07C	ZB12A	12	6	4	5,5	FPM	1	0,140
	1,6	1,2		10	10	10	10	0,08	0,05									
	2	1,2		5	5	5	5	0,1	0,05									
	2,4	1,2		4	4	4	4	0,13	0,05									
NO - Normally open																		
G 1/8	1,6	1,2	0	8,5	8,5	8,5	8,5	0,08	0,05	L372V07A	ZB12A	12	6	4	5,5	FPM	1	0,140
US -Universal service																		
G 1/8	1,2	1,2	0	7	7	7	7	0,05	0,05	L372V07G	ZB12A	12	6	4	5,5	FPM	1	0,140
	1,6	1,2		4,5	4,5	4,5	4,5	0,08	0,05									
	2	1,2		3	3	3	3	0,1	0,05									
	2,4	1,2		2	2	2	2	0,13	0,05									

► NOTES

- Sealings: FPM = Fluoro-carbon elastomer
 - On request: - version with manual override: L372V05
 - sealings in EPDM (Ethylene-propylene elastomer): L372D07 – L372D05 (with manual override)
 - coil in class H (ZB14A – see § "COIL")
 - grease/oil free versions
- 1 – ZB12 and ZB14 coils fitted with sealing gaskets underneath and on the upper part (see sectional view on the back)

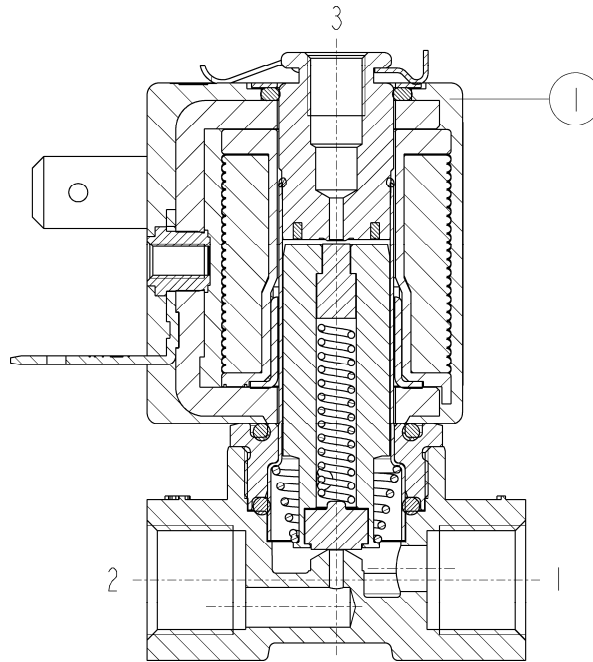


L372

NON STANDARD

STAINLESS STEEL

► SPARE PARTS



Kit description

Kit P.N.

Consisting of:

Coil

ZB12A
ZB14A

Coil pos.1

► INSTALLATION

- Solenoid valve can be mounted in any position; vertical with coil upwards preferred.

THE VALIDITY OF REPORTED DATA IS REFERRED TO THE DATE OF ISSUE. POSSIBLE UPDATES ARE AVAILABLE ON REQUEST

SIRAI® - BUSSERO (MI) - Italy - www.sirai.com



青岛秉诚自动化设备有限公司
地址：中国·青岛市重庆南路99号海尔云街甲3号楼7F

服务热线：4006-918-365
网址：<http://www.asco.store>

传真：(86-532)585-10-365
Email：sales@bechinas.com