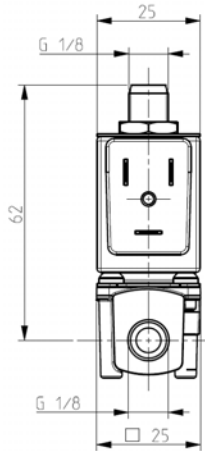
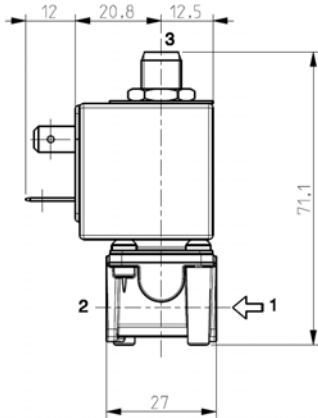
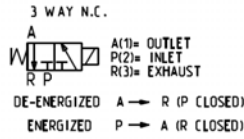
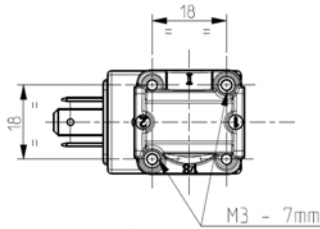




SOLENOID VALVE
3/2- NC (Normally closed)
Direct acting
G 1/8

L377V05C



► **GENERAL FEATURES**

Direct acting solenoid valve, small body size,
Suitable for pneumatic and hydraulic circuits and to operate
single-acting cylinders.
Suitable to shut off liquid and gaseous fluids (verify the compatibility
of fluid with material in contact)

► **TECHNICAL FEATURES**

Maximum allowable pressure (PS) 30 bar
Opening time ~ 15 ms.
Closing time ~ 15 ms.
Fluid temperature 0°C +130°C
Max viscosity 5°E (~37 cStokes or mm²/s)

► **MATERIALS IN CONTACT WITH FLUID**

Body Brass
Sealing FPM
Internal components Stainless steel
Seat Brass or Stainless steel
Guide assembly Stainless steel
Shading coil Copper

► **COIL**

Continuous duty ED 100%
Encapsulation material PET (polyethylene terephthalate) fiberglass reinforced
Coil insulation class F (155°C)
Ambient temperature -10°C +60°C
Electric connection DIN 46340 - 3 poles connectors
Protection degree IP 65 (EN 60529)
Voltages DC 12-24V (+10% -5%)
AC 24V/50-60Hz - 110V/50-60Hz (120V/60Hz) -
230V/50-60Hz (+10% -15%)
(Other voltages and frequencies on request)

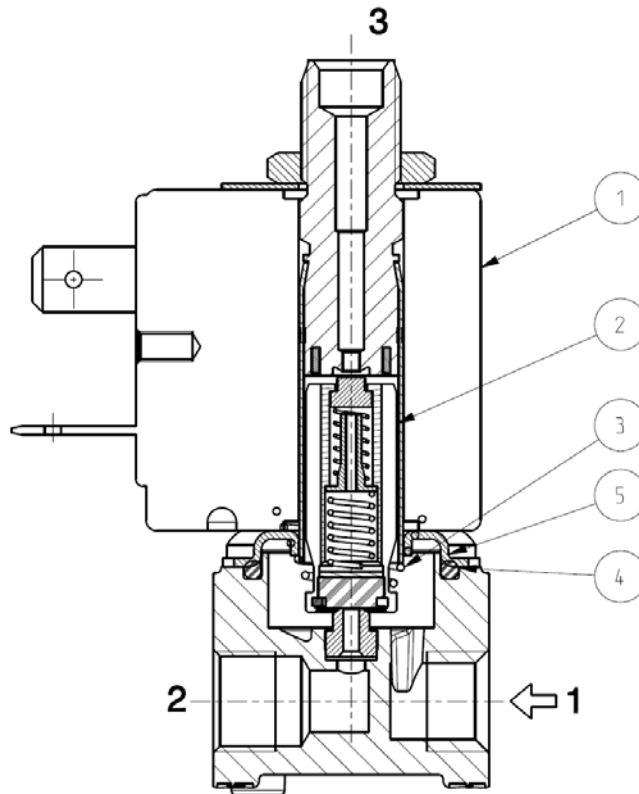
Port size ISO 228	Orifice size (mm)	Differential pressure (bar)				Kv (m ³ /h)	Series and type		Power absorption			Sealings	Notes	Weight (kg)	
		Δp min	Δp max		Valve		Coil	AC (VA)		DC (W)					
			Gases	Liquids				Inrush	Holding						
G 1/8	1,6	0	c.a.	c.c.	c.a.	c.c.	L377V05C	Z610A	16	10	6	FPM	1-2	0,170	
	10		10	8	8	0,08									
	2,3		3	3	3	3									

► **NOTES**

- Sealings: FPM = Fluoro carbon elastomer
- In case of disassembling of the coil, the fixing bolt has to be tightened at 3 Nm max. torque
- 1 - Upper exhaust (3) with seat diameter 1,6 mm.
- 2 - Solenoid valve with stainless steel seat

L377V05C

► SPARE PARTS



Kit description		Kit P.N.	Consisting of:						
Core kit	<table border="1"> <tr> <td>Ø1,6</td> <td>G2934702</td> <td>Core pos.2</td> </tr> <tr> <td>Ø2,3</td> <td>G2934902</td> <td>O-Ring guide assembly pos.4</td> </tr> </table>	Ø1,6	G2934702	Core pos.2	Ø2,3	G2934902	O-Ring guide assembly pos.4		
Ø1,6	G2934702	Core pos.2							
Ø2,3	G2934902	O-Ring guide assembly pos.4							
Core return spring kit	<table border="1"> <tr> <td>Ø1,6</td> <td>G2926801</td> <td>N.10 core return spring pos.3</td> </tr> <tr> <td>Ø2,3</td> <td>G2927101</td> <td></td> </tr> </table>	Ø1,6	G2926801	N.10 core return spring pos.3	Ø2,3	G2927101			
Ø1,6	G2926801	N.10 core return spring pos.3							
Ø2,3	G2927101								
O-Ring guide assembly kit		GU2424000017	N.10 O-Ring guide assembly kit pos.4						
Guide assembly		2973101R	Guide assembly pos.5						
Coil		Z610A	Coil pos.1						

► MOUNTING

- Solenoid valve can be mounted in any position; vertical with coil upwards preferred.

THE VALIDITY OF REPORTED DATA IS REFERRED TO THE DATE OF ISSUE. POSSIBLE UPDATES ARE AVAILABLE ON REQUEST.