



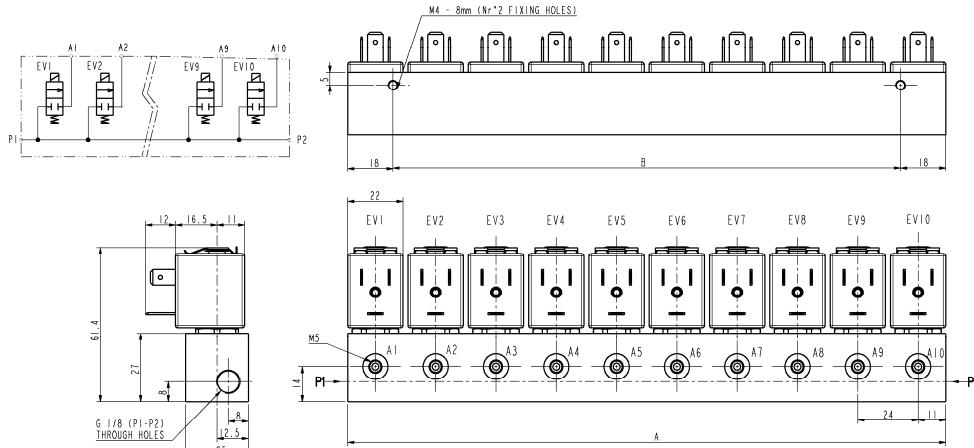
# MANIFOLD WITH 2÷10 ACTUATORS

2/2- NC (Normally closed)

Direct acting

G1/8 – M5

L672



N° of Actuators	2	3	4	5	6	7	8	9	10
A	46	70	94	118	142	166	190	214	238
B	10	34	58	82	106	130	154	178	202

### ► GENERAL FEATURES

Manifold with direct acting actuators.  
Common inlet and separates outlets.  
From 2 to 10 positions available.  
Suitable to shut off liquid and gaseous fluids, (verify the compatibility of fluid with materials in contact).

### ► TECHNICAL FEATURES

Maximum allowable pressure (PS) 50bar  
Opening time ~10ms  
Closing time ~10ms  
Fluid temperature 0°C +130°C  
Max viscosity 5°E (~37 cStokes or mm<sup>2</sup>/s)

### ► MATERIALS IN CONTACT WITH FLUID

Body Brass  
Sealing FPM  
Internal components Stainless steel  
Seat Brass  
Guide assembly Stainless steel  
Shading ring Copper

### ► COIL

Approval

Encapsulation material

Coil insulation class

Ambient temperature

Discontinuous duty

Electric connections

Protection degree

Voltages DC  
AC

ZB10A	ZB12A	ZB14A
/	UL and CSA	UL and CSA
PA (Polyamide) fiberglass reinforced	PET (polyethylene- terephthalate) fiberglass reinforced	PET (polyethylene- terephthalate) fiberglass reinforced
F (155°C) -10°C +60°C	F (155°C) -10°C +60°C	H (180°C) -10°C +75°C
ED 50%		
DIN 46340- 3 poles connector		
IP 65	IP 67	IP 67
(EN 60529) with plug connector		
12-24V (+10% -5%)		
24V/50-60Hz - 115V/50Hz - 230V/50-60Hz (+10% -15%)		
(Other voltages and frequencies on request)		

Port size ISO 228 ---- ISO-UNI 4534	Orifice size (mm)	Differential pressure (bar)				Kv (m <sup>3</sup> /h) ▲	N° of Actuators	Series and type		Power absorption ■				Sealings	Notes	Weight (kg)					
		Δp max						Valve	Coil	AC			CC								
		Gases		Liquids						Inrush	Holding										
Δp min	c.a.	c.c.	c.a.	c.c.	VA	VA	W	W													
G1/8 ---- M5	1,2	0	28	20	28	20	0,05	2	L672V02 L672V03 L672V04 L672V05 L672V06 L672V07 L672V08 L672V09 L672V10	ZB10A ZB12A	12	6	4	5,5	FPM	1	0,380 0,565 0,755 0,940 1,130 1,320 1,505 1,695 1,880				
	1,6		20	12	20	12												0,08	3		
	2		15	6	15	6														0,11	4
	2,4		12	4	12	4															

▲ - Value referred to each single actuator. ■ - Power absorption of a single coil.

### ► NOTES

- Sealings: FPM =Fluoro-carbon elastomer
- On request: - sealings in EPDM (Ethylene-propylene elastomer - WRAS/KTW certified compound)
  - body valve in stainless steel AISI 316
  - body valve with special surface treatments
  - coil in class H (ZB14A – see § "COIL")
  - grease/oil free versions

1 – ZB12 and ZB14 coils fitted with sealing gaskets underneath and on the upper part (see sectional view on the back)



青島秉誠自動化設備有限公司  
地址：中國·青島市重慶南路99號海爾甲3號樓7F

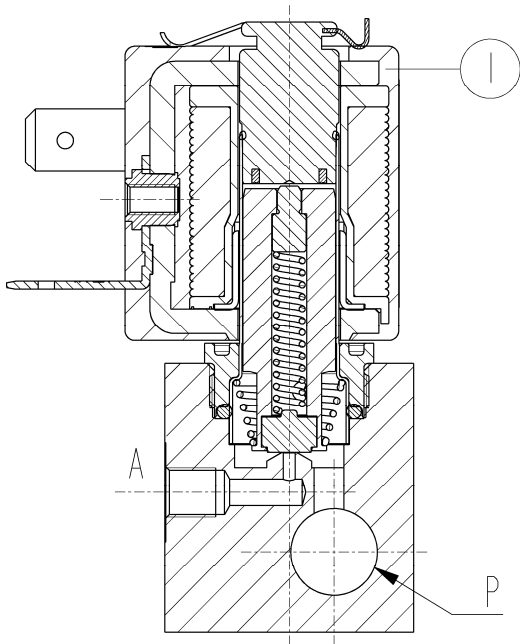
SIRAI™ - BUSSERO (MI) - Italy - www.sirai.com

服務熱線：4006-918-365  
網址：http://www.asco.store

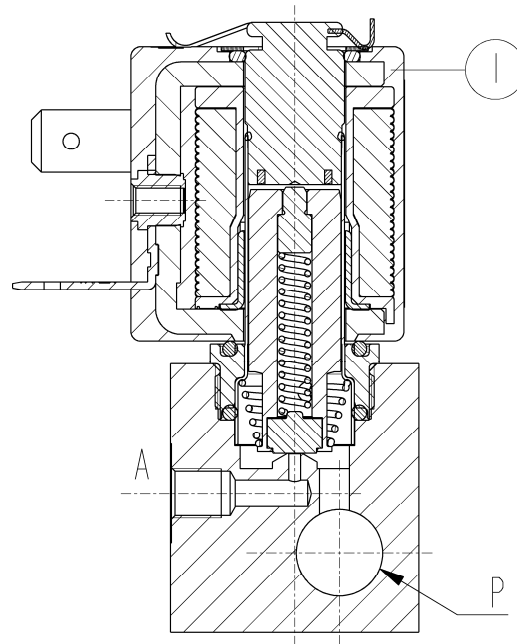
傳真：(86-532)585-10-365  
Email：sales@bechinass.com

► SPARE PARTS

WITH ZB10A COIL



WITH ZB12A – ZB14A



Kit description

Coil

Kit P.N.

ZB10A  
ZB12A  
ZB14A

Consisting of:

Coil pos.1

► MOUNTING

- Solenoid valve can be mounted in any position; vertical with coil upwards preferred.

THE VALIDITY OF REPORTED DATA IS REFERRED TO THE DATE OF ISSUE. POSSIBLE UPDATES ARE AVAILABLE ON REQUEST