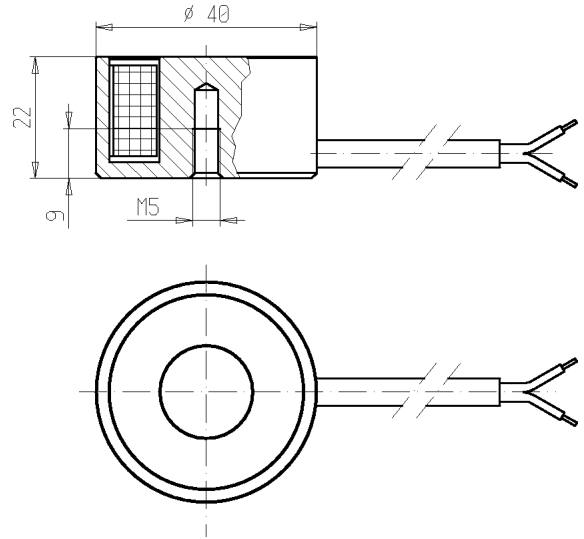




HOLDING SOLENOID
PROTECTION DEGREE IP40

C340FY01



FEATURES – Series of solenoids with zinc plated steel body. Class F insulation (155°C) with class H wire (180°C). Solenoid complying with VDE 0580 directive and 100% inspected.

PROTECTION DEGREE - IP 40 (EN 60529).

ELECTRICAL CONNECTIONS – 2 monopolar cables in tin-plated copper with PTFE coating + sheet (free length 200 mm).

STANDARD VOLTAGES – Direct current 12-24 V.

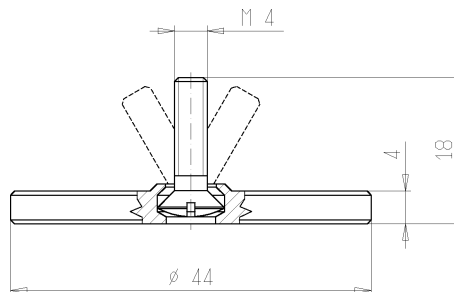
VOLTAGE TOLERANCE +10% -10%.

Series and type	Power absorption (W)	Holding force (N)	ED %	Weight (Kg)
C340FY01	1	250	100	0,16
	4,5	360		

TEST CONDITIONS – Operating ambient temperature 20°C. Tolerance on the rated voltage –10% with hot solenoid. Holding force measured with standard articulated anchorage plate: air gap at zero value.

ACCESSORIES

ARTICULATED ANCHORAGE PLATE
(Weight 0,045 kg)
C93405808601



THE VALIDITY OF REPORTED DATA IS REFERRED TO THE DATE OF ISSUE. POSSIBLE UPDATES ARE AVAILABLE ON REQUEST

06/09/1411

