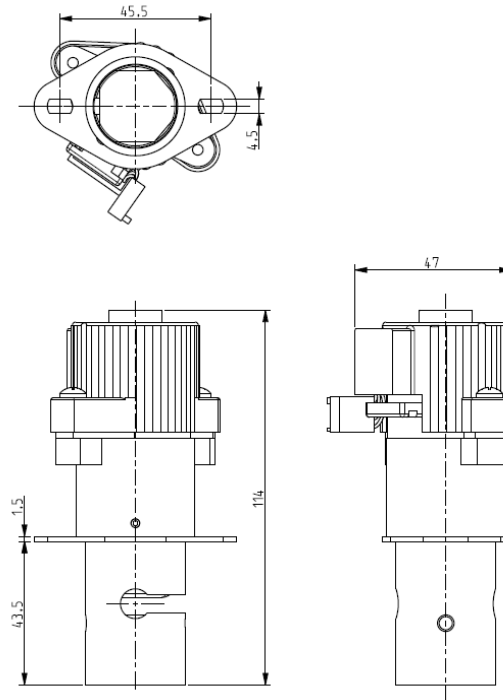




# STEPPER MOTOR PINCH VALVE 2- WAY

S170XA01X0900XX



### ► GENERAL FEATURES

Stepper motor pinch valve, suitable to shut off media without producing neither turbulent flows, nor dead spaces. Particularly suitable for most of the analytical, medical and food applications.

If equipped with fitting control electronics, the valve can perform ON-OFF functions, as well as analog input and potentiometer control.

The system allows a bi-directional through flow and a high flow rate. The valve is suitable for elastic tubings with hardness up to 90 Shore A.

The tubing (not included in our supply) is the only material in contact with the fluid.

### ► MATERIALS (OF THE PINCHING DEVICE)

<i>Body</i>	Anodized aluminium
<i>Pinching device</i>	POM (reinforced acetal copolymer)
<i>Internal components</i>	Brass and stainless steel

### ► ELECTRIC FEATURES

<i>Power supply</i>	12V DC
<i>Continuous duty</i>	ED 100%
<i>Minimum Step</i>	0.033mm/step
<i>Insulation class</i>	B (130°C)
<i>Drive methods</i>	1-2 phase
<i>Drive circuit</i>	BIPOLAR CHOPPER
<i>Windings resistance</i>	24 Ω
<i>Current / phase</i>	500 mA
<i>Ambient temperature</i>	-10°C +60°C
<i>Electric connection</i>	Molex pitch 2.54mm 4 pins
<i>Protection degree</i>	IP 40 (DIN40050)

TUBINGS	Pinching strength (N)	Speed for closing valve (mm/s)	Series and type	Power absorption (W)	Notes	Weight (kg)
MAX O.D. (mm)			Valve	In operation		
9,5	up to 80N	3,33	S170XA01X0900XX	9	-	0.22

### ► NOTE

- Some data, e.g. actuating time and power absorption, are directly depending on the electronic control and can vary accordingly
- For the use of a tubing with outside diameter smaller than 6mm, it is necessary to install the tubing guide sleeve (drawing K29501)

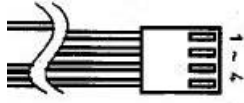
THE VALIDITY OF REPORTED DATA IS REFERRED TO THE DATE OF ISSUE. POSSIBLE UPDATES ARE AVAILABLE ON REQUEST

16021710



# S170XA01X0900XX

## STEPPER MOTOR WIRING



PIN NO.	WIRE COLOR	MOTOR
1	YELLOW	B3
2	ORANGE	B1
3	BROWN	A3
4	BLACK	A1

## WIRE COLOR CODE

HEAD SPINDLE IN				
CONNECTOR PIN NO.	STEP			
	1	2	3	4
1	+	+	-	-
2	-	-	+	+
3	-	+	+	-
4	+	-	-	+

HEAD SPINDLE OUT				
CONNECTOR PIN NO.	STEP			
	1	2	3	4
1	-	-	+	+
2	+	+	-	-
3	-	+	+	-
4	+	-	-	+

THE VALIDITY OF REPORTED DATA IS REFERRED TO THE DATE OF ISSUE. POSSIBLE UPDATES ARE AVAILABLE ON REQUEST