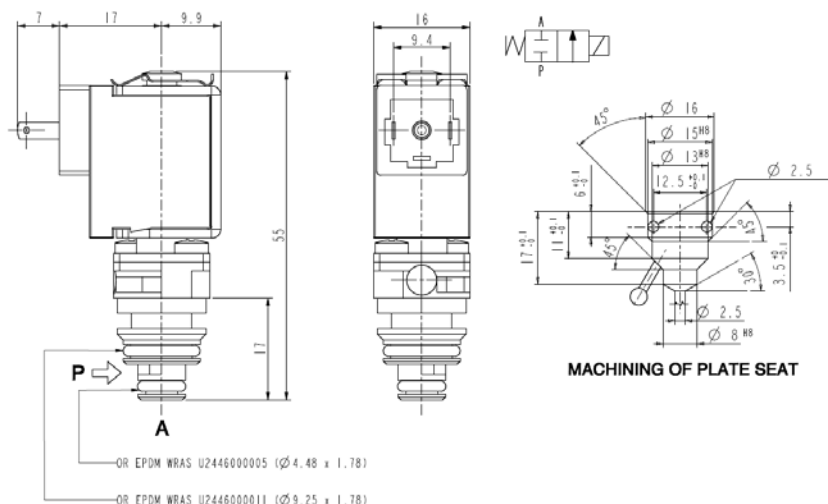




MICRO SOLENOID VALVE
2/2 - NC (Normally closed)
Direct acting
PLUG-IN

V124D03



► **GENERAL FEATURES**

Direct acting micro solenoid valve, designed to be plugged either in a sub-base or directly on the equipment.
 Minimum overall dimensions, quick response time and high number of cycles.
 Suitable to shut off liquid and gaseous fluids (verify the compatibility of fluid with materials in contact).

► **TECHNICAL FEATURES**

Maximum allowable pressure (PS) 16 bar
Opening time from ~ 5ms to ~ 10ms
Closing time from ~ 5ms to ~ 10ms
Fluid temperature -10°C +100°C
Max viscosity 3°E (22 cStokes or mm²/s)

► **MATERIALS IN CONTACT WITH FLUID**

Body POM
Sealing EPDM
Internal components Stainless steel
Seat POM
Core tube Stainless steel

► **COIL**

Continuous duty ED 100%
Encapsulation material PA (Polyamide) fiberglass reinforced
Insulation class F (155°C)
Ambient temperature -10°C +60°C
Electric connections DIN 46340
Protection degree IP 65 (EN 60529) with micro plug connector
Voltages DC 12 - 24V (+10% -5%)
 (Other voltages on request)

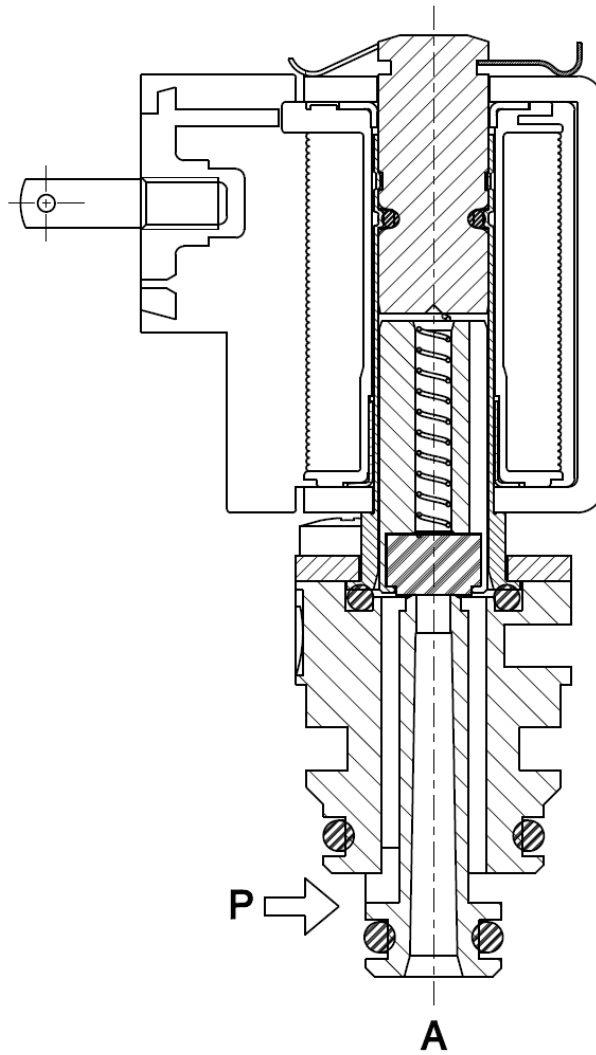
| Port size | Orifice size (mm) | Differential pressure (bar) | | | | Kv (m ³ /h) | Series and type | | Power absorption | | | Sealings | Notes | Weight (kg) | |
|-----------|-------------------|-----------------------------|--------|----|---------|------------------------|-----------------|---------|------------------|---------|----------|----------|-------|-------------|-------|
| | | Δp min | Δp max | | | | Valve | Coil | AC (VA) | | c.c. (W) | | | | |
| | | | Gases | | Liquids | | | | Inrush | Holding | | | | | |
| | | | AC | DC | AC | | | | | | | | | | DC |
| - | 2 | 0 | - | 6 | - | 6 | 0,10 | V124D03 | ZE30A | - | - | 4 | EPDM | - | 0,045 |

► **NOTES**

- These micro-solenoid valves are not suitable for stagnating media subject to vaporization which deposit solid, calcareous, incrusting residues or similar.
 - Sealings: EPDM = WRAS approved ethylene-propylene elastomer

V124D03

► SECTIONAL VIEW



► INSTALLATION

- Machine the sub-base or the equipment first.
- Solenoid valve can be mounted in any position; vertical with coil upwards preferred.

THE VALIDITY OF REPORTED DATA IS REFERRED TO THE DATE OF ISSUE. POSSIBLE UPDATES ARE AVAILABLE ON REQUEST.