



MICRO SOLENOID VALVE

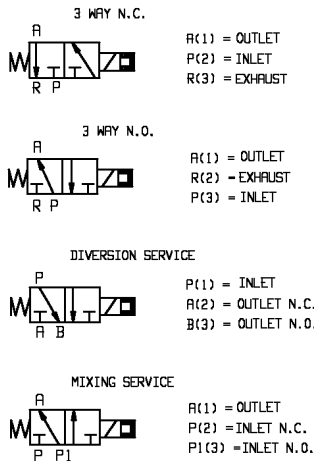
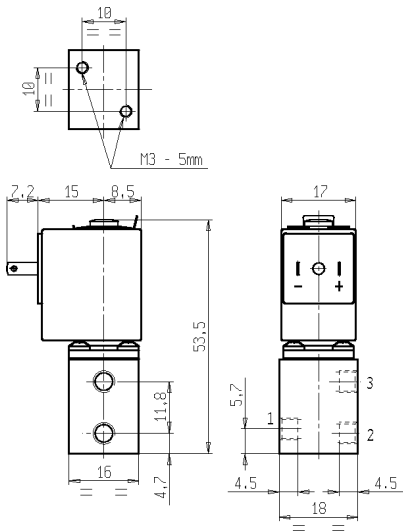
3/2 - US (Universal service)

Direct acting

M5

V365

LATCHING MODEL



► GENERAL FEATURES

Direct acting micro solenoid valve; minimum overall dimensions.
Suitable to shut off liquid and gaseous fluids (verify the compatibility of fluid with materials in contact).

► TECHNICAL FEATURES

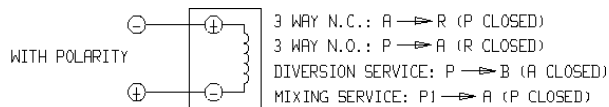
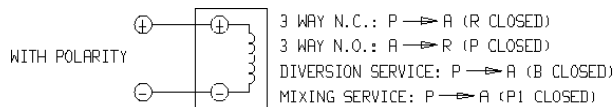
Maximum allowable pressure (PS) 16 bar
Opening time ~20ms
Closing time ~20ms
Fluid temperature -10°C +90°C
Max viscosity 3°E (~22 cStokes or mm²/s)

► MATERIALS IN CONTACT WITH FLUID

Body Brass
Sealing NBR
Internal components Brass, PEI (Polyetherimide) and stainless steel.
Seat 2 → 1: Brass - 1 → 3: PEI
Core tube Brass
Shading ring Copper

► COIL

Duty Latching model, polarized type, operating by impulses.
Minimum energizing time 20ms
Encapsulation material PP-V0 (self-extinguishing polypropylene)
Insulation class A (105°C)
Ambient temperature -10°C +60°C
Electric connections DIN 46340 - 3 poles micro plug connectors
Protection degree IP 65 (EN 60529) with micro plug connector
Voltages DC 6-12V (+10% -10%)
(Other voltages on request)



Port size ISO-UNI 4534	Orifice size (mm)	Differential pressure (bar)				Kv (m ³ /h)	Series and type		Power absorption			Sealings	Notes	Weight (kg)	
		Δp min	Δp max				Valve	Coil	AC. (VA)		DC. (W)				
			Gases		Liquids				Inrush	Holding					
			AC	DC	AC										DC
M5	1,2	0	-	2,5	-	2,5	0,04	V365B03G	Z070D	-	-	2	NBR	-	0,090

► NOTES

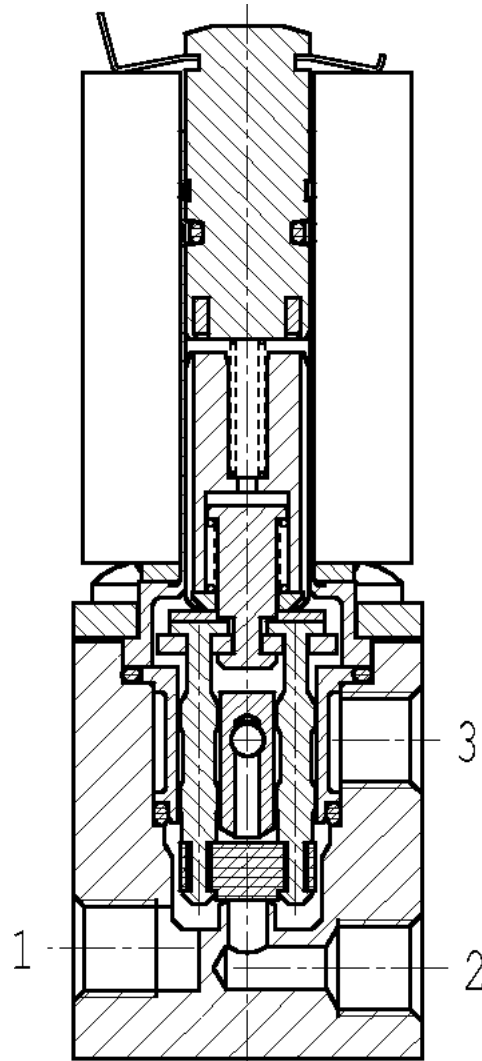
- These micro-solenoid valves are not suitable for stagnating media subject to vaporization which deposit solid, calcareous, incrusting residues or similar.
- Seal: NBR = Nitrile-butylene elastomer

0605/0711

V365

LATCHING MODEL

► SECTIONAL VIEW



► MOUNTING

Solenoid valve can be mounted in any position; vertical with coil upwards preferred.

THE VALIDITY OF REPORTED DATA IS REFERRED TO THE DATE OF ISSUE. POSSIBLE UPDATES ARE AVAILABLE ON REQUEST.