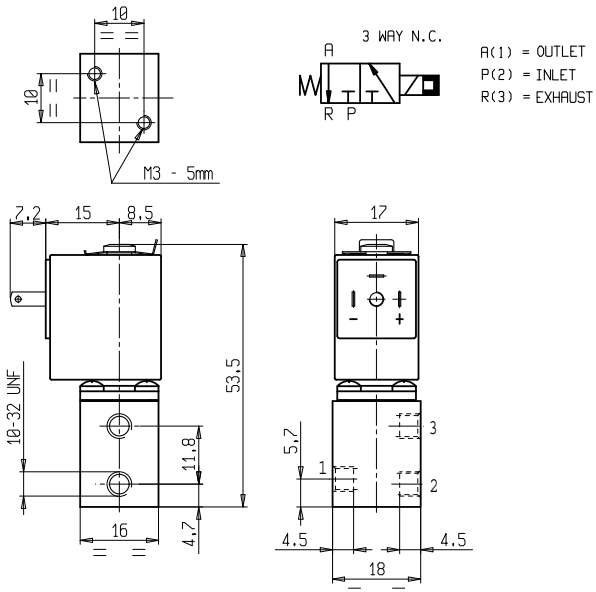




**MICRO SOLENOID VALVE**  
**2/2 - NC (Normally closed)**  
**Direct acting**  
**10-32 UNF**

**V365V07C**  
**LATCHING MODEL**



**► GENERAL FEATURES**

Direct acting micro solenoid valve; minimum overall dimensions.  
 Quick response time and high number of cycles.  
 Suitable to shut off liquid and gaseous fluids (verify the compatibility of fluid with materials in contact).

**► TECHNICAL FEATURES**

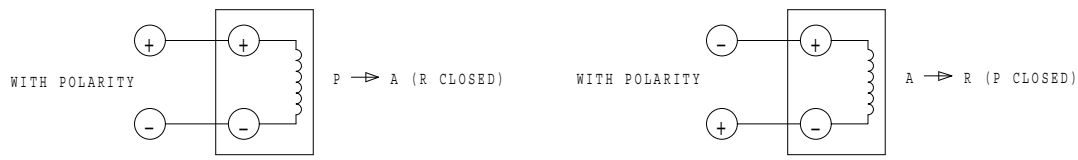
*Maximum allowable pressure (PS)* 16 bar  
*Opening time* from ~5ms to ~10ms  
*Closing time* from ~5ms to ~10ms  
*Fluid temperature* 0°C +90°C  
*Max viscosity* 3°E (~22 cStokes or mm<sup>2</sup>/s)

**► MATERIALS IN CONTACT WITH FLUID**

*Body* Brass  
*Sealing* FPM  
*Internal components* Brass, PEI (Polyetherimide) and stainless steel.  
*Seat* 2 → 1: Brass - 1 → 3: PEI  
*Core tube* Brass  
*Shading ring* Copper

**► COIL**

*Duty* Latching model, polarized type, operating by impulses  
*Minimum energizing time* 20ms  
*Encapsulation material* PP-V0 (self-extinguishing polypropylene)  
*Insulation class* A (105°C)  
*Ambient temperature* -10°C +60°C  
*Electric connections* DIN 46340 - 3 poles micro plug connectors  
*Protection degree* IP 65 (EN 60529) with micro plug connector  
*Voltages* DC 6-12V (+10% -10%)  
 (Other voltages on request)



Port size ANSI B1.1	Orifice size (mm)	Differential pressure (bar)				Kv (m <sup>3</sup> /h)	Series and type		Power absorption			Sealings	Notes	Weight (kg)	
		Δp min	Δp max				Valve	Coil	AC. (VA)		DC. (W)				
			Gases		Liquids				Inrush	Holding					
			AC	DC	AC										DC
10-32 UNF	2	0	-	2,5	-	2,5	0,08	V365V07C	Z070A	-	-	3	FPM	-	0,090

**► NOTES**

- These micro-solenoid valves are not suitable for stagnating media subject to vaporization which deposit solid, calcareous, incrusting residues or similar.  
 - Seal: FPM = Fluoro-carbon elastomer

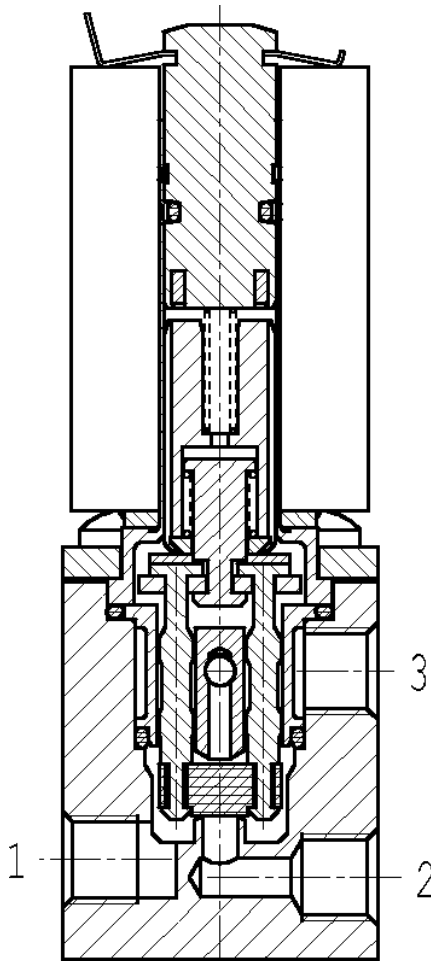


0602/0711

# V365V07C

## LATCHING MODEL

### ► SECTIONAL VIEW



### ► MOUNTING

Solenoid valve can be mounted in any position; vertical with coil upwards preferred.

THE VALIDITY OF REPORTED DATA IS REFERRED TO THE DATE OF ISSUE. POSSIBLE UPDATES ARE AVAILABLE ON REQUEST.