

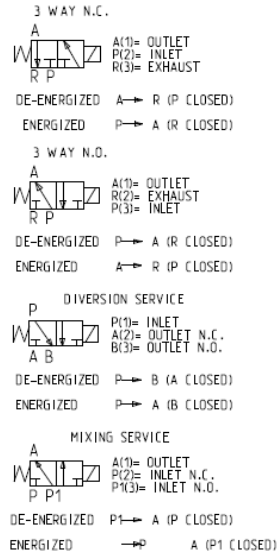
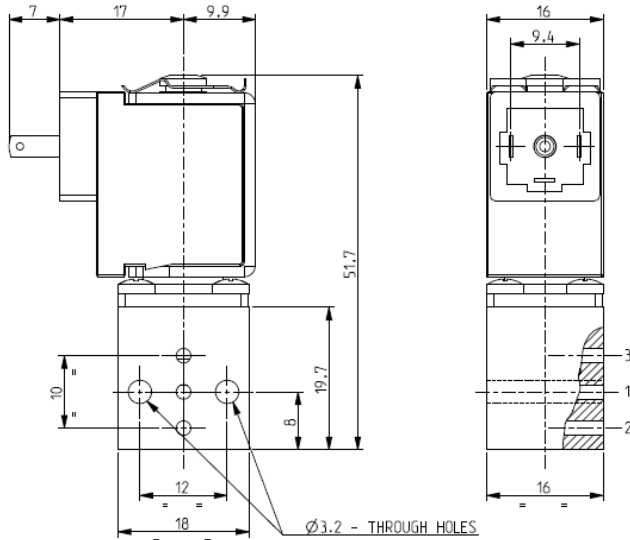


MICRO SOLENOID VALVE

3/2 - NC - NO - US (Universal service)

Direct acting
Sub-base mounting

V367



► GENERAL FEATURES

Direct acting micro solenoid valve suitable for mounting on a sub-base or directly on the equipment.
Minimum overall dimensions, quick response time and high number of cycles.
Seal gasket for coupling supplied with the valve.
Suitable to shut off liquid and gaseous fluids (verify the compatibility of fluid with materials in contact).

► TECHNICAL FEATURES

Maximum allowable pressure (PS) 16 bar
Opening time from ~ 5ms to ~ 10ms
Closing time from ~ 5ms to ~ 10ms
Fluid temperature -10°C +90°C
Max viscosity 3°E (22 cStokes or mm²/s)

► MATERIALS IN CONTACT WITH FLUID

Body Brass
Sealing NBR
Internal components Brass, PEI (Polyetherimide) and stainless steel
Seat Brass
Core tube Brass

► COIL

Continuous duty ED 100%
Encapsulation material PA (Polyamide) fiberglass reinforced
Insulation class F (155°C)
Ambient temperature -10°C +60°C
Electric connections DIN 46340 with micro plug connector
Protection degree IP 65 (EN 60529) with micro plug connector
Voltages DC 12-24V (+10% -5%)
(Other voltages on request)

Port size	Orifice size (mm)	Differential pressure (bar)				Kv (m ³ /h)	Series and type		Power absorption			Sealings	Function Notes	Weight (kg)	
		Δp min	Δp max		Valve		Coil	AC (VA)		DC (W)					
			Gases	Liquids				Inrush	Holding						
			AC	DC	AC	DC									
-	1,2	0	-	6	-	6	0,04	V367B02C	ZE30C	-	-	2,5	NBR	NC	0,090
				8	-	8		V367B01C	ZE30A			4			
				6	-	6		V367B01A	ZE30C			2,5			
				8	-	8		V367B01G	ZE30A			4			

► NOTES

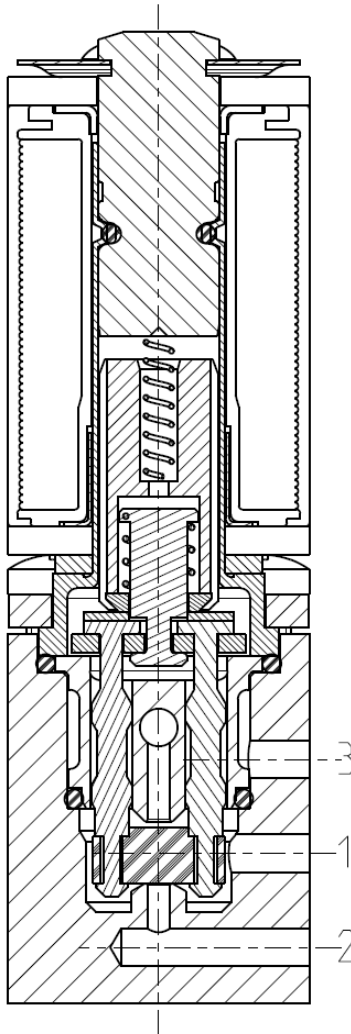
- These micro-solenoid valves are not suitable for stagnating media subject to vaporization which deposit solid, calcareous, incrusting residues or similar.
- Sealings: NBR = Nitrile-butylene elastomer.
1 - Model available on request only: ask for minimum quantity.

1410/1704



V367

► SECTIONAL VIEW



► INSTALLATION

- Solenoid valve can be mounted in any position; vertical with coil upwards preferred.

THE VALIDITY OF REPORTED DATA IS REFERRED TO THE DATE OF ISSUE. POSSIBLE UPDATES ARE AVAILABLE ON REQUEST.